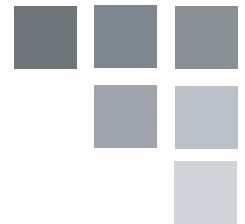


**Danby\***  
Do the right thing.\*



|                                                                   |                |
|-------------------------------------------------------------------|----------------|
| <b>VERTICAL AIR CONDITIONER</b><br>Owner's Manual.....            | <b>1 - 15</b>  |
| <b>CLIMATISEUR VERTICAL</b><br>Manuel du propriétaire.....        | <b>16 - 30</b> |
| <b>AIRE ACONDICIONADO VERTICAL</b><br>Manual del propietario..... | <b>31 - 45</b> |

|                                |
|--------------------------------|
| <b>MODEL • MODÈLE • MODELO</b> |
| <b>DVAC080B1WDB</b>            |
| <b>DVAC100B1WDB</b>            |

Danby Products Limited, Guelph, Ontario, Canada N1H 6Z9  
Danby Products Inc. Findlay, Ohio, U.S.A. 45840

[www.Danby.com](http://www.Danby.com)  
f @ in t p

2023.01.18

\*Trademark of Danby Products  
\* Marque de commerce de Danby Products  
\* Marca comerciales de Danby Products

Printed in China  
Imprimé en Chine  
Impreso en China

# Welcome to the Danby family.

We are proud of our quality products and we believe in dependable service. We suggest that you read this owner's manual before plugging in your new appliance as it contains important operation information, safety information, troubleshooting, and maintenance tips to ensure the reliability and longevity of your appliance.

You are entitled to the warranty coverage as described in the owner's manual provided with your new appliance.

1. Please write down your appliance information below. **You must keep the original proof of purchase receipt to validate and receive warranty services.**
2. Register your product online and receive a **FREE 2 MONTH WARRANTY EXTENSION** after filling out a product survey, at [www.danby.com/support/product-registration/](http://www.danby.com/support/product-registration/)

**Model Number:** \_\_\_\_\_

**Serial Number:** \_\_\_\_\_

**Date of Purchase:** \_\_\_\_\_

## Need Help?

1. Read your Owner's Manual for installation help, troubleshooting, and maintenance assistance.
2. Visit [www.Danby.com](http://www.Danby.com) to access self-service tools, FAQs and much more by searching your model number in the search bar.
3. For the **Quickest Customer Service**, please fill out the web form at [www.danby.com/support](http://www.danby.com/support). Your submission will go directly to an expert on your particular appliance. Our average response times are between 20 minutes and 2 hours, during EST business hours.
4. Call **1-800-263-2629** - please note that during peak hours, hold times can exceed one hour.



## Important Safety Information

### READ AND FOLLOW ALL SAFETY INSTRUCTIONS

#### SAFETY REQUIREMENTS

This appliance is not intended for use by persons (including children) whose physical, sensory or mental capabilities may be different or reduced, or who lack experience or knowledge, unless such persons receive supervision or training to operate the appliance by a person responsible for their safety.

Children should be supervised to ensure that they do not play with the appliance.

To avoid risk of electric shock, do not operate this appliance in an area that is likely to accumulate standing water. If this condition develops, disconnect the power supply before stepping into the water.

Do not store or use combustible materials such as gasoline or other flammable vapors or liquids in the vicinity of this or any other appliance.

Do not insert fingers or other objects into grills or openings in the appliance.

Do not cover or block the intake and exhaust openings.

Do not operate the appliance without the filter installed.

Do not operate the appliance near heat sources.

This appliance is intended for indoor, residential applications only. Do not use this appliance outdoors. Do not use this appliance for commercial or industrial applications.

If the air conditioner is transported on its back or side, it must be allowed to stand upright for 6 hours before plugging in to avoid damage to internal components.

#### GROUNDING INSTRUCTIONS

This appliance must be grounded. Grounding reduces the risk of electrical shock by providing an escape wire for the electrical current.

This appliance has a cord that has a grounding wire with a 3-prong plug. The power cord must be plugged into an outlet that is properly grounded. If the outlet is a 2-prong wall outlet, it must be replaced with a properly grounded 3-prong wall outlet. The serial rating plate indicates the voltage and frequency the appliance is designed for.

**WARNING** - Improper use of the grounding plug can result in a risk of electric shock. Consult a qualified electrician or service agent if the grounding instructions are not completely understood, or if doubt exists as to whether the appliance is properly grounded.

**Do not connect the appliance to extension cords, adapters or together with another appliance in the same wall outlet.**

Do not splice the power cord. Do not under any circumstances cut or remove the third ground prong from the power cord.

If the power supply cord is damaged, it must be replaced by the manufacturer, its service agent or similar qualified person in order to avoid hazard.

Receptacle wiring should be a minimum of 14 gauge. Use copper wire only.

A time delay fuse or time delay circuit breaker is required. A separate circuit, serving only this appliance, must be provided.

**SAVE THESE INSTRUCTIONS!**

# INSTALLATION INSTRUCTIONS

## PREPARATION

**For wood frame casement windows:** It may be necessary to construct a frame using at least 1 inch thick wood with a 15.5 inch wide opening.

**For brick or cement building construction:** It may be necessary to put a wood strip under the appliance for mounting purposes.

## REQUIRED TOOLS

1. Flat head screwdriver
2. Phillips head screwdriver
3. Carpenter's level
4. Tape measure
5. Fine tooth saw
6. Electric or hand drill

## LOCATION

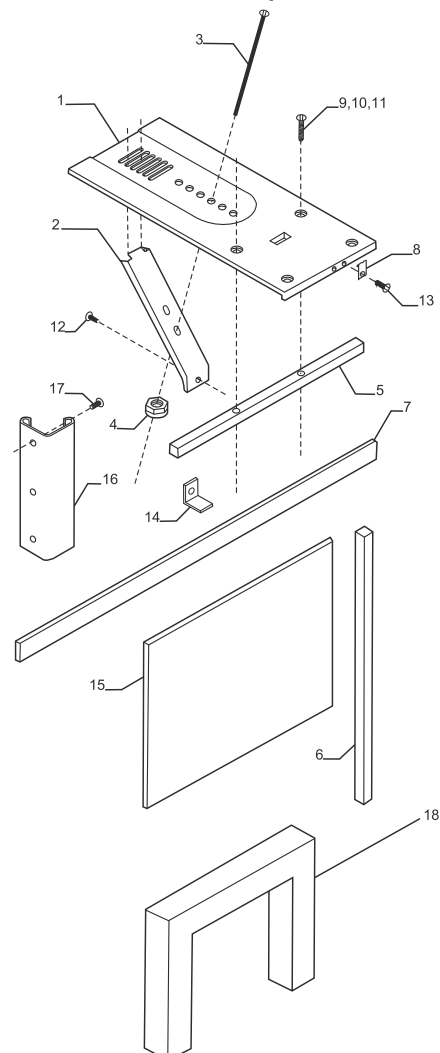
When deciding on an installation location, ensure the window is within 6 feet of an electrical outlet and choose a window that has the below dimensions:

- 15.4 inches (39 cm) width
- 20.9 inches (53 cm) minimum height
- 39.6 inches (100.5 cm) maximum height

**Note:** Height measurements must be of a clear opening above a mounting platform. In some cases the above dimensions may vary slightly. If necessary, installation can be completed by adding window jambs.

## ACCESSORIES

1. Platform
2. Support brace
3. Adjustment bolt
4. Hex flange nut
5. Track seal
6. Side channel seal
7. Foam seal strip/Sash seal
8. Safety bracket
9. 2 1/2" screw (x2)
10. 1 3/4" screw (x2)
11. 1" screw (x2)
12. 3/4" screw (x6)
13. 3/4" self threading screw (x7)
14. Window locking bracket
15. Plastic window panel
16. Side channel (x2)
17. 3/8" screw (x6)
18. Panel frame/Seal assembly

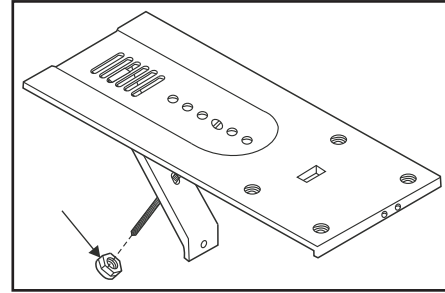


# INSTALLATION INSTRUCTIONS

## INSTALLATION IN A SLIDING WINDOW

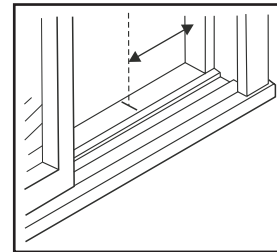
### 1. Attach the support brace to the platform.

Use the adjustment bolt and hex flange nut to complete the assembly. Choose the slot and adjustment bolt hole that will create a 45 degree angle between the platform and the support brace. Hold the assembled platform in the chosen window location to ensure the assembly will rest properly and allow for a 3/16" slope to the outside. If you are planning to use a siding protection board (see Step 5) hold the board in place to test the platform assembly configuration.



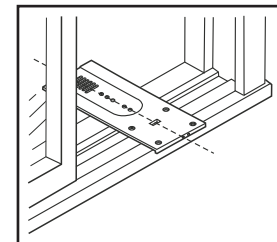
### 2. Measure and mark the window sill.

Measure 8 11/16" from the window jamb and mark a line on the window sill. This mark will help to center the support platform in the window. If any sash stop protrudes more than 1 inch from the side window jambs, the measurement should be increased accordingly. Screen and storm window frames may also require adjustments to the measurement.



### 3. Make screw holes for the platform.

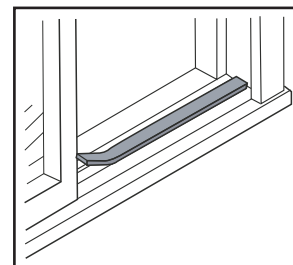
Center the platform assembly on the line marked in the previous step with the inside platform tab pressed against the inside edge of the window track. Using the holes on the platform as a guide, mark and drill two 9/64" diameter holes. Drill holes in either track or stool.



**Caution:** Ensure the wood stool or window track is securely attached to the building construction. Use longer screws to reach the sub-framing if necessary.

### 4. Add the foam track seal.

Remove the protective backing from the foam track seal. Apply the seal to the room side of the window track. The center of the foam seal should coincide with the line marked in Step 2. The two screw holes drilled in Step 3 should be directly above the foam seal in the inner track.



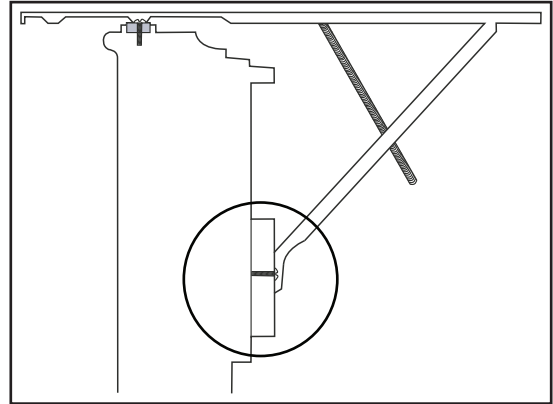
# INSTALLATION INSTRUCTIONS

## INSTALLATION IN A SLIDING WINDOW

### 5. Add a siding protection board.

A siding protection board can be used to protect the house siding from damage. The board should be long enough to span two wall studs.

Adjust the platform assembly so that the air conditioner will be 1" to 1 1/4" lower in the back, tilted approximately 3° to 4° downward to the outside. This allows condensation that forms inside the appliance during normal use to drain to the outside.

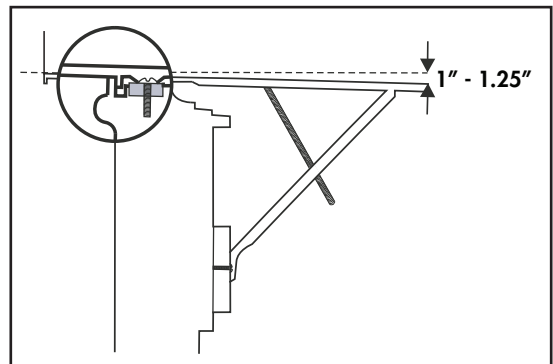


### 6. Install the platform assembly.

Place the platform assembly in the window with the platform tab against the inside of the window track and attach it to the window jamb using the provided screws.

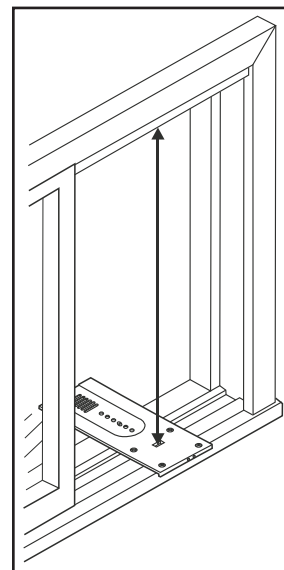
Ensure that the platform assembly is tilted 1" to 1 1/4" (3° to 4°) downward to the outside.

Ensure that the platform assembly is level from side to side. Make sure the window track is level. Use leveling shims as necessary to ensure the appliance is level.



### 7. Cut the plastic window panel.

Measure the height of the window opening from the top of the platform assembly to the top of the window opening. Subtract 20 5/8" to account for the size of the air conditioner and mark the measurement on the plastic window panel along the longer side. Cut the panel to the correct size and remove any burrs with a file.

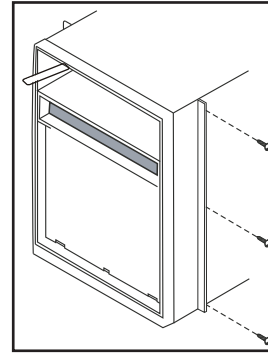


# INSTALLATION INSTRUCTIONS

## INSTALLATION IN A SLIDING WINDOW

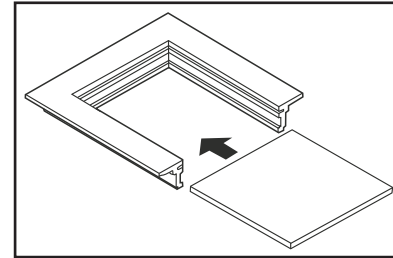
### 8. Attach the side channels.

Fasten the side channels to the sides of the air conditioner using the provided screws. Make sure the hook ends of the channels face the rear of the appliance.



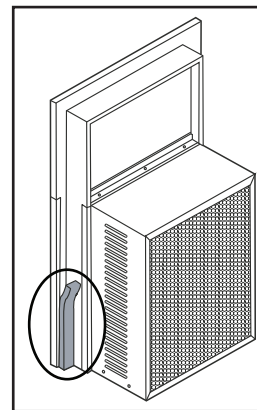
### 9. Assemble the window panel and frame

Slide the plastic window panel into the panel frame with the smooth side facing the room. Slide the panel frame assembly into the side channels of the air conditioner cabinet. Make sure the plastic window panel is firmly enclosed on all sides by the retainer grooves.



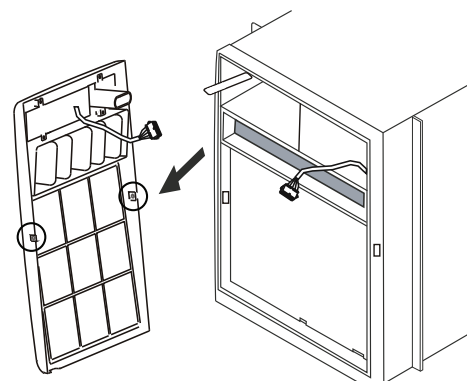
### 10. Add the weather stripping.

Cut the side channel foam seal into two equal lengths. Remove the protective backing and apply it to the rear side of the cabinet side channels, starting just below the panel frame assembly. Cut off any excess length so the seal is even with the bottom of the cabinet side channel.



### 11. Remove the front panel.

Remove the two front retaining screws from the front frame. Pull the front out and lift up to release the front cover from the cabinet. Release the coupler plugs. Removing the front panel will allow you to install the safety bracket in step 13.



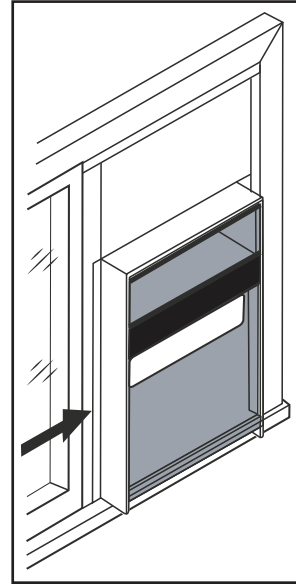
# INSTALLATION INSTRUCTIONS

## INSTALLATION IN A SLIDING WINDOW

### 12. Install the air conditioner.

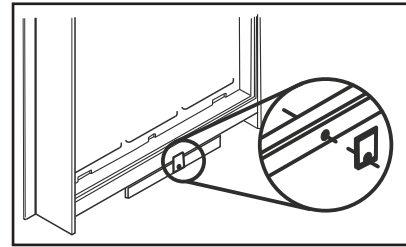
Place the air conditioner in the window opening. It should sit on the platform assembly so that the window panel frame and cabinet side channels are against the top and side window jambs.

Slide the inner window sash firmly against the side of the cabinet. Make sure not to peel off the side channel or window track foam seals. If the panel frame does not fit snugly against the inner window sash, secure the panel frame to the sash with 3/4" screws or 3/4" self threading screws. Use the partially plugged holes in the panel frame. Drill 1/8" pilot holes in the panel frame. Drill 1/8" pilot holes for the screws.



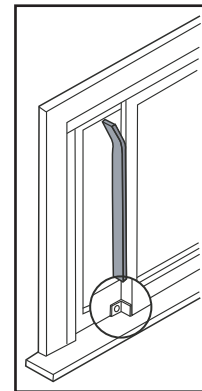
### 13. Install the safety bracket.

Hook the safety bracket over the base of the cabinet and fasten it to the front of the platform assembly with a 3/4" self threading screw. The safety bracket prevents movement of the air conditioner after completing the installation.



### 14. Install the sash foam and window lock.

Insert the foam sash seal between the vertical sash and the window glass. Use the window locking bracket to lock the inner window sash to the base of the outer window sash. Use 3/4" screw or 3/4" self threading screw.



### 15. Replace the front cover.

Reconnect the coupler plugs and ensure that the exhaust control is positioned through the front cover in the correct location. Replace the retaining screws on the sides of the cabinet that hold the front cover in place.



# INSTALLATION INSTRUCTIONS

## INSTALLATION IN A CASEMENT WINDOW

If you are installing the air conditioner in a casement window, follow the above steps for a sliding window but keep the following points in mind:

- Open the window the maximum amount to allow for clearance of the cabinet.
- The crank handle should be removed to allow the platform assembly to be fastened to the window jamb.
- If the window cannot open far enough for the cabinet to clear the window, (more than 15 1/2") remove the window entirely by drilling out the rivets. Bolts can service as the pivots in future.
- To avoid the crank handle and window clearance problems, install the appliance in a stationary sash section. The horizontal mullion and the two glass panels must be removed before installation.

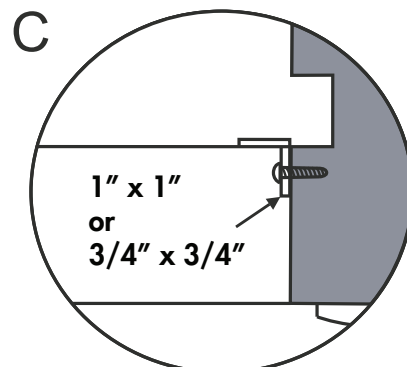
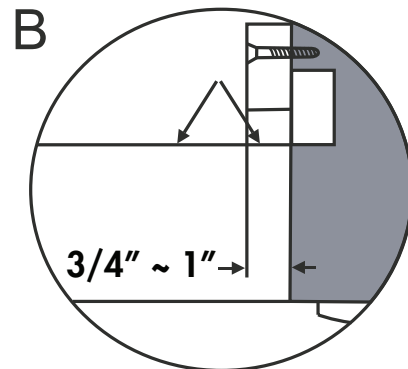
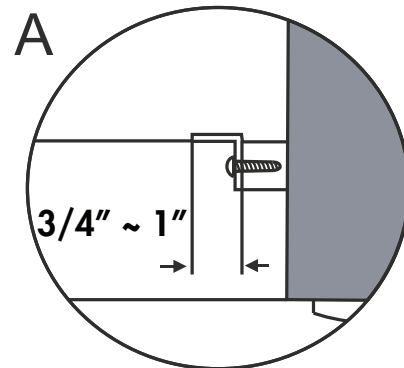
## ALTERNATE WINDOW JAMB APPLICATIONS

To install the air conditioner in windows that do not have flanges or wood stops on the top and side jambs, the channels and panel frame must fit against a mating flange (or 1/16" maximum thick angle) attached to the window jambs.

Figure A shows this angle installed.

Figures B and C show alternate treatments.

On the sash side of the opening the leading corner of the inner sash becomes the flange. You can purchase the angle strip locally.



# OPERATING INSTRUCTIONS

## CONTROL PANEL

### 1. Exhaust Control:

- In the Closed position, the air conditioner will circulate inside air only. Use the Closed position when maximum cooling is desired or for air circulation when the appliance is set to fan mode.
- In the Open position, the air conditioner will exhaust air to the outside. Use the Open position to remove stale air from the room and exhaust it to the outside and to draw fresh air into the home.

### 2. Mode Button: Used to choose the operating mode.

### 3. Energy Saver Button:

- The Energy Saver Function will automatically cycle the fan on and off when the compressor is not in use to minimize how often the compressor needs to turn on. This function is available in Cool, Dry, Auto Cool and Auto Fan modes.
- The fan will continue to run for 3 minutes after the compressor turns off. The fan will then cycle on for 2 minutes in 10 minute intervals until the ambient temperature is above the set temperature, at which point the compressor will turn on and cooling will resume.

### 4. Timer Button: Used to set the auto on and auto off timer.

### 5. Up and Down Arrows:

- Used to adjust the set temperature and the timer function.
- Press and hold the up and down buttons at the same time for 3 seconds to change the temperature display between °F and °C.

### 6. Display Panel: Displays the set temperature, the ambient temperature and the timer settings. To change the temperature scale being displayed, press the up and down buttons at the same time.

### 7. Sleep Button:

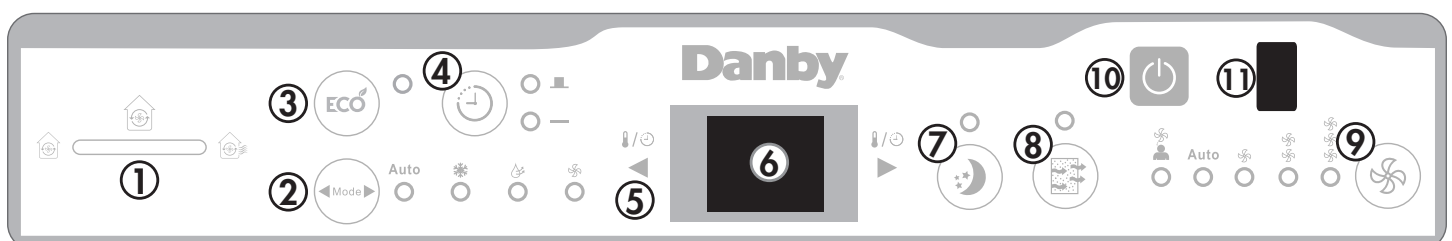
- The Sleep Function can be used to conserve energy during sleeping hours. When selected, the set temperature will increase by 1°C/2°F every half hour for one full hour. The appliance will hold the new set temperature for 6 hours before automatically returning to normal operation.

### 8. Filter Button: The indicator light will illuminate as a reminder to check the filter. Once the filter has been cleaned, use this button to resume operation.

### 9. Fan Button: Used to set the fan speed. The fan can be set to Low, Medium, High and Auto.

### 10. Power Button: Press to turn the appliance on or off.

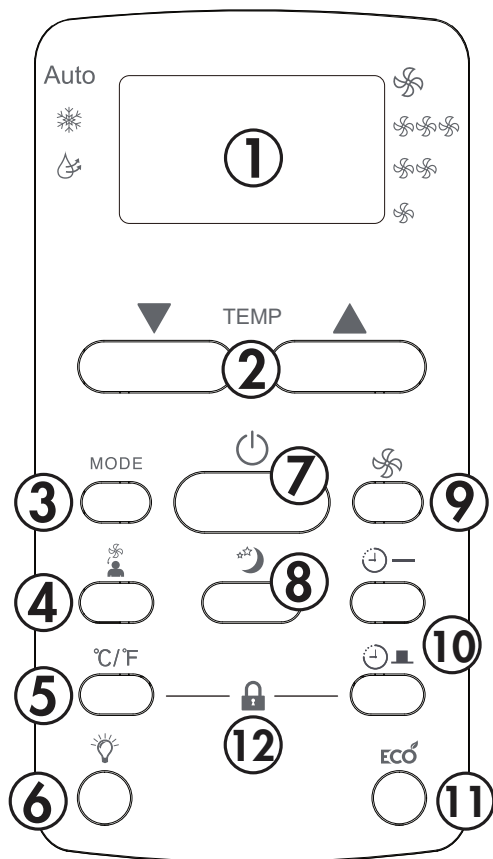
### 11. Remote Control Receiver



# OPERATING INSTRUCTIONS

## REMOTE CONTROL

- 1. Display panel:** Displays the set temperature, the ambient temperature and the timer settings. To change the temperature scale being displayed, press the °C/°F button.
- 2. Up and down arrows:** Used to adjust the set temperature in 1° increments and the timer function in 30 minute increments up to 10 hours and then in 1 hour increments up to 24 hours.
- 3. Mode button:** Used to choose the operating mode.
- 4. Follow me button:** Used to set the follow me function.
- 5. °C/°F button:** Use to change the temperature scale.
- 6. LED button:** Press to turn the LED back light on or off.
- 7. Power button:** Used to turn the appliance on or off.
- 8. Sleep button:** Used to set the sleep function.
- 9. Fan button:** Used to set the fan speed. The fan can be set to low, medium, high and auto.
- 10. Timer buttons:** Used to set the auto on and auto off timers.
- 11. Energy saver button:** Used to set the energy saver function.
- 12. Lock button:** Press the °C/°F button and the timer button at the same time to lock the remote control and prevent the settings from being inadvertently changed.



## REMOTE CONTROL BATTERIES

The remote control requires two AAA alkaline batteries (included). Batteries should be replaced when:

- No sound is heard when attempting to program the appliance.
- The appliance does not respond to a command issued by the remote control.

### Battery replacement:

- Slide the rear cover on the remote in the direction of the arrow.
- Insert two AAA batteries following the same orientation depicted inside the battery chamber (+/-).
- Reinstall the rear cover.
- If the remote control will not be used for extended periods of time, the batteries should be removed.

### Notes:

- Protect the remote control from high temperatures, and keep it away from radiation exposure.
- Keep the control panel receiver out of direct sunlight.
- Do not mix old and new batteries.
- Do not mix alkaline, standard (carbon-zinc), or rechargeable (ni-cad, ni-mh, etc) batteries.
- The remote operates within a range of 8 meters (26 ft.) from the receiver located inside the main appliance. Any obstruction between the receiver and remote may cause signal interference, limiting the ability to program the main unit.

# OPERATING INSTRUCTIONS

## REMOTE CONTROL REGULATIONS

This Class B digital apparatus complies with the Canadian CAN ICES-003(B)/NMB-003(B) standard.

This equipment has been tested and found to comply with the limits for a Class B digital device, pursuant to Part 15 of the FCC Rules. These limits are designed to provide reasonable protection against harmful interference in a residential installation.

This equipment generates, uses and can radiate radio frequency energy and, if not installed and used in accordance with the instructions, may cause harmful interference to radio communications. However, there is no guarantee that interference will not occur in a particular installation.

If this equipment does cause harmful interference to radio or television reception, which can be determined by turning the equipment off and on, the user is encouraged to try to correct the interference by one or more of the following measures:

1. Reorient or relocate the receiving antenna
2. Increase the separation between the equipment and receiver
3. Connect the equipment into an outlet on a circuit different from that to which the receiver is connected
4. Consult the dealer or an experienced radio/TV technician for help

Changes or modifications not approved by the party responsible for FCC and Industry Canada compliance could void the user's authority to operate the equipment. This appliance complies with Part 15 of the FCC Rules.

Operation is subject to the following conditions:

1. This device may not cause harmful interference.
2. This device must accept any interference received, including interference that may cause undesired operation.

## SUPPLIER'S DECLARATION OF CONFORMITY

47 CFR § 2.1077 Compliance Information

**Unique Identifier:** Danby, RG51G(1)/CEFU1

**Responsible Party U.S. Contact Information:**

Danby Products Inc.

1800 Production Drive

Findlay, OH

45840

**Telephone number or internet contact information:** Danby.com

**FCC Compliance Statement:** This appliance complies with Part 15 of the FCC Rules. Operation is subject to the following conditions:

1. This device may not cause harmful interference.
2. This device must accept any interference received, including interference that may cause undesired operation.

# OPERATING INSTRUCTIONS

## FUNCTION INSTRUCTION

### Operating Modes

There are four operating modes to choose from. Press the Mode Button repeatedly to choose the desired mode. The adjacent indicator light will illuminate to show which mode has been selected.

- **Cool Mode**

Choose Cool Mode to set the cooling function. Use the Up and Down Arrows to choose the desired temperature. When Cool Mode is selected, the fan speed can be adjusted by pressing the fan button.

- **Dry Mode**

Choose Dry Mode to remove excess moisture from the air during periods of high humidity. All water pulled from the air will condense inside the appliance and drain out the back. The fan speed will be automatically set and cannot be modified in Dry Mode.

- **Fan Mode**

Choose Fan Mode to run the internal fan without engaging the cooling function. Press the fan button repeatedly to choose the fan speed, Low, Med, High or Auto.

- **Auto Mode**

Auto Mode is a pre-set factory program that automatically defines the mode (Cool or Dry) and fan speed based on the set temperature, the ambient temperature and the ambient humidity.

## UP AND DOWN ARROWS

The Up and Down Arrows will modify the set temperature in 1° increments.

The Up and Down Arrows will modify the set time of the timer function in 0.5 hour increments up to 10 hours and then in 1 hour increments up to 24 hours maximum.

## TIMER FUNCTION

The Timer Function can be used to turn the appliance on or off after a set period of time.

### Auto On Function

1. Press the Timer Button once and the Auto On indicator light will illuminate.
2. Use the Up and Down Arrows to select the desired amount of time before the appliance should turn on.
3. Use the Mode Button to select the desired mode.
4. Use the Fan Button to select the desired fan speed.
5. The time selected will appear on the display panel and will count down until the appliance turns on.

### Auto Off Function

1. Press the Timer Button twice and the Auto Off indicator light will illuminate.
2. Use the Up and Down Arrows to select the desired amount of time before the appliance should turn off.
3. The time selected will appear on the display panel and will count down until the appliance turns off.

### Using Auto On and Auto Off Simultaneously

If there is a need for the appliance to turn on, run for a set period of time and then turn off, the Auto On and Auto Off functions can be used at the same time by first setting one and then the other. Both indicator lights will illuminate and the display will count down to the appliance either turning off or on, whichever function was set first.

**Note:** The timer will not cycle the appliance on and off indefinitely. The Auto On and Auto Off timers will function one time and then the appliance will return to regular functioning.

Turning the appliance off, pressing the default button on the remote or unplugging the appliance will clear all memory settings, including the timer.

## OPERATING INSTRUCTIONS

### FOLLOW ME FUNCTION

There is a temperature sensor built into the remote control that will continuously collect the current room temperature. Keep the remote control with you and the appliance will automatically adjust the set temperature based on the current temperature where you are located to reach the most comfortable condition and temperature.

Press the follow me button to activate the follow me function. The remote will display the current temperature at its location. The remote will send a signal to the air conditioner every 3 minutes, so long as you remain within range of the appliance.

The follow me light on the control panel of the appliance will illuminate for 5 seconds every three minutes to indicate that it has received a signal from the remote. If the appliance does not receive a signal from the remote during any 7 minute interval, it will beep to indicate that the follow me mode has ended.

The maximum distance for the follow me feature is 8 meters (26 feet). This feature is available in cool and auto modes.

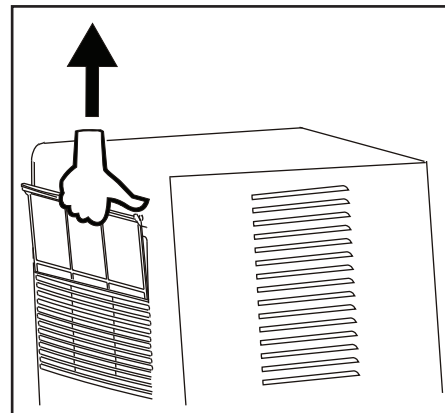
## CARE & MAINTENANCE

### AIR FILTER

The check filter light on the control panel will illuminate after 250 hours of operation as a reminder to check the filter. Follow the steps below to clean the filter and return the appliance to normal functioning.

1. The air filter is located behind the front intake grill. To remove the air filter, grasp the filter tab on the top of the grill and pull upwards.
2. Use a vacuum cleaner with a soft brush attachment to remove any large debris or dust build up from the air filter.
3. Wash the filter in lukewarm, soapy water, below 40°C (104°F), or use a neutral cleaning agent.
4. Rinse the filter with clean water and dry thoroughly before reinstalling in the appliance.
5. Press the filter button on the control panel to resume normal functioning.

**Note:** Do not operate the appliance without the air filter installed.



## CARE & MAINTENANCE

### CLEANING

To avoid possible electric shock, ensure that the appliance is unplugged before performing any cleaning or maintenance.

The outside of the appliance can be wiped clean with a soft cloth or with a lukewarm, damp cloth if necessary.

Do not use gasoline, benzene, thinner or any other chemicals to clean this appliance as these substances can cause damage to the finish and deformation of plastic parts.

Never pour water directly onto the appliance as this will cause deterioration of electrical components and wiring insulation.

### END OF SEASON CARE

Before removing the appliance from service for the year, operate the appliance on high fan mode for half a day to ensure the inside of the appliance is dry. This will help avoid the growth of mold or mildew inside the appliance. Ensure the filter is clean and dry. Store the appliance covered in a dry location.

**Note:** When installing or removing the appliance from the window, ensure that caution is taken to prevent it from falling backward. It is recommended that installation or removal is completed with assistance to prevent injury to persons or damage to property or the appliance.

### DISPOSAL

Check for local regulatory compliance regarding approved and safe disposal of this appliance.

### ERROR CODES

**AS** - Room temperature sensor error

 - Evaporator temperature sensor error

## TROUBLESHOOTING

### Appliance will not operate

- Plus is not fully inserted into the wall outlet
- Blown fuse or circuit breaker

### Insufficient cooling

- Air filters are dirty
- Blocked air flow
- Appliance size is too small for application

### Noise

- The ground is not level
- Air filters are dirty
- Gurgling sounds are normal; this is the refrigerant moving inside the appliance

### Odors

- Formation of mold or mildew on internal wet surfaces
- Place an algacide tablet in base pan; push the tablet through the grill on the back of the appliance



## LIMITED "CARRY IN" WARRANTY

This quality product is warranted to be free from manufacturer's defects in material and workmanship, provided that the unit is used under the normal operating conditions intended by the manufacturer.

This warranty is available only to the person to whom the unit was originally sold by Danby Products Limited (Canada) or Danby Products Inc. (U.S.A.) (hereafter "Danby") or by an authorized distributor of Danby, and is non-transferable.

### TERMS OF WARRANTY

Plastic parts are warranted for thirty (30) days from the date of purchase, with no extensions provided.

**First 24 months** During the first **twenty four (24) months**, any functional parts of this product found to be defective, will be repaired or replaced, at warrantor's option, at no charge to the original purchaser.

**To obtain service** Contact the dealer where the unit was purchased, or contact the nearest authorized Danby service depot, where service must be performed by a qualified service technician. If service is performed on the unit by anyone other than an authorized service depot, all obligations of Danby under this warranty shall be void.

It is the responsibility of the purchaser to transport the appliance to the nearest authorized service depot.

Transportation charges to and from the service location are not protected by this warranty and are the responsibility of the purchaser.

Nothing within this warranty shall imply that Danby will be responsible or liable for any spoilage or damage to food or other contents of this appliance, whether due to any defect of the appliance, or its use, whether proper or improper.

### EXCLUSIONS

Save as herein provided, by Danby, there are no other warranties, conditions, representations or guarantees, express or implied, made or intended by Danby or its authorized distributors and all other warranties, conditions, representations or guarantees, including any warranties, conditions, representations or guarantees under any Sale of Goods Act or like legislation or statute is hereby expressly excluded. Save as herein provided, **Danby shall not be responsible for any damages to persons or property, including the unit itself, howsoever caused or any consequential damages arising from the malfunction of the unit and by the purchase of the unit, the purchaser does hereby agree to indemnify and hold harmless Danby from any claim for damages to persons or property caused by the unit.**

### GENERAL PROVISIONS

No warranty or insurance herein contained or set out shall apply when damage or repair is caused by any of the following:

- 1) Power failure.
- 2) Damage in transit or when moving the appliance.
- 3) Improper power supply such as low voltage, defective house wiring or inadequate fuses.
- 4) Accident, alteration, abuse or misuse of the appliance such as inadequate air circulation in the room or abnormal operating conditions (ie. extremely high or low room temperature).
- 5) Use for commercial or industrial purposes (ie. If the appliance is not installed in a domestic residence).
- 6) Fire, water damage, theft, war, riot, hostility, acts of God such as hurricanes, floods etc.
- 7) Service calls resulting in customer education.
- 8) Improper Installation (ie. Building-in of a free standing appliance or using an appliance outdoors that is not approved for outdoor application, including but not limited to: garages, patios, porches or anywhere that is not properly insulated or climate controlled).

Proof of purchase date will be required for warranty claims; retain bills of sale. In the event that warranty service is required, present the proof of purchase to our authorized service depot.

**Warranty Service**  
Carry In

Danby Products Limited  
PO Box 1778, Guelph, Ontario, Canada N1H 6Z9  
Telephone: (519) 837-0920 FAX: (519) 837-0449

**1-800-263-2629**  
04/17

Danby Products Inc.  
PO Box 669, Findlay, Ohio, U.S.A. 45840  
Telephone: (419) 425-8627 FAX: (419) 425-8629



# Bienvenue dans la famille Danby.

Nous sommes fiers de nos produits de qualité et nous croyons en un service fiable. Nous vous suggérons de lire ce manuel du propriétaire avant de brancher votre nouvel appareil car il contient des informations de fonctionnement importantes, des informations de sécurité, des conseils de dépannage et d'entretien pour assurer la fiabilité et la longévité de votre appareil.

Vous avez droit à la couverture de la garantie décrite dans le manuel du propriétaire fourni avec votre nouvel appareil.

1. Veuillez noter ci-dessous les informations relatives à votre appareil. **Vous devez conserver la preuve d'achat originale pour valider et bénéficier des services de garantie.**
2. Enregistrez votre produit en ligne et recevez une **PROLONGATION DE GARANTIE GRATUITE DE 2 MOIS** après avoir rempli une enquête sur les produits, à l'adresse [www.danby.com/support/product-registration/](http://www.danby.com/support/product-registration/)

Numéro de modèle : \_\_\_\_\_

Numéro de série : \_\_\_\_\_

Date d'achat : \_\_\_\_\_

## Besoin d'assistance?

1. Lisez votre manuel du propriétaire pour obtenir de l'aide à l'installation, au dépannage et à la maintenance.
2. Visitez [www.Danby.com](http://www.Danby.com) pour accéder aux outils en libre-service, aux FAQ et bien plus encore en recherchant votre numéro de modèle dans la barre de recherche.
3. Pour bénéficier du **service client le plus rapide**, veuillez remplir le formulaire Web à l'adresse [www.danby.com/support](http://www.danby.com/support). Votre soumission ira directement à un expert de votre appareil particulier. Nos temps de réponse moyens sont compris entre 20 minutes et 2 heures, pendant les heures ouvrables EST.
4. Composez le **1-800-263-2629** - veuillez noter que pendant les heures de pointe, les temps d'attente peuvent dépasser une heure.



## Informations importantes de sécurité

### LIRE ET SUIVRE TOUTES LES INSTRUCTIONS DE SÉCURITÉ

#### EXIGENCES DE SÉCURITÉ

Cet appareil n'est pas destiné à être utilisé par des personnes (y compris des enfants) dont les capacités physiques, sensorielles ou mentales peuvent être différentes ou réduites, ou qui n'ont pas d'expérience ou de connaissances, à moins que ces personnes ne soient surveillées ou formées pour faire fonctionner l'appareil par une personne responsable de leur sécurité.

Les enfants devraient être surveillés pour s'assurer qu'ils ne jouent pas avec l'appareil.

Pour éviter tout risque de choc électrique, ne pas utiliser cet appareil dans une zone susceptible d'accumuler de l'eau stagnante. Si cette condition se développe, débranchez l'alimentation avant de pénétrer dans l'eau.

Ne pas stocker ou utiliser des matériaux combustibles tels que de l'essence ou d'autres vapeurs ou liquides inflammables à proximité de ce ou d'un autre appareil.

Ne pas insérer de doigts ou d'autres objets dans des grilles ou des ouvertures dans l'appareil.

Ne pas couvrir ou bloquer les ouvertures d'admission et d'échappement.

N'utilisez pas l'appareil sans le filtre installé.

N'utilisez pas l'appareil à proximité de sources de chaleur.

Cet appareil est destiné uniquement à des applications résidentielles et intérieures. N'utilisez pas cet appareil à l'extérieur. N'utilisez pas cet appareil pour des applications commerciales ou industrielles.

Si le climatiseur est transporté sur son dos ou sur son côté, il doit être maintenu debout pendant 6 heures avant de brancher pour éviter d'endommager les composants internes.

Gardez l'appareil à l'écart des murs, des meubles et des rideaux avec un jeu d'au moins 30 cm (12 pouces) sur tous les côtés.

#### INSTRUCTIONS DE MISE À LA TERRE

Cet appareil doit être mis à la terre. La mise à la terre réduit le risque de choc électrique en fournissant un câble d'échappement pour le courant électrique.

Cet appareil possède un cordon doté d'un fil de mise à la terre avec une fiche à 3 broches. Le cordon d'alimentation doit être branché sur une prise correctement mise à la terre. Si la sortie est une prise murale à 2 broches, elle doit être remplacée par une prise murale à 3 broches correctement mise à la terre. La plaque signalétique en série indique la tension et la fréquence auxquelles l'appareil est conçu.

**AVERTISSEMENT** - L'utilisation incorrecte de la fiche de mise à la terre peut entraîner un risque d'électrocution. Consultez un électricien qualifié ou un agent de service si les instructions de mise à la terre ne sont pas complètement comprises ou s'il existe un doute quant à savoir si l'appareil est correctement mis à la terre.

**Ne branchez pas l'appareil à des rallonges, des adaptateurs ou à un autre appareil dans la même prise murale.**

Ne pas épisser le cordon d'alimentation. Ne coupez ou retirez en aucun cas la troisième broche du cordon d'alimentation.

Si le cordon d'alimentation est endommagé, il doit être remplacé par le fabricant, son agent de maintenance ou une personne qualifiée similaire afin d'éviter tout risque.

**GARDEZ CES INSTRUCTIONS!**

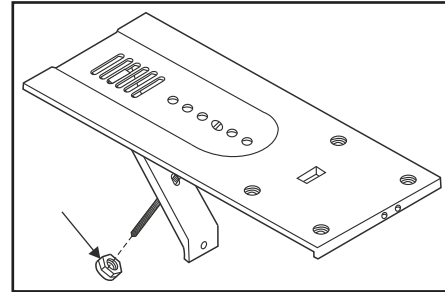


# INSTRUCTIONS D'INSTALLATION

## INSTALLATION DANS UNE FENÊTRE COULISSANTE

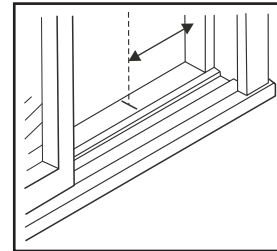
### 1. Fixez le support à la plate-forme.

Utilisez le boulon de réglage et l'écrou hexagonal pour terminer l'assemblage. Choisissez la fente et le trou de boulon de réglage qui créera un angle de 45 degrés entre la plate-forme et l'entretoise de support. Tenez la plate-forme assemblée à l'emplacement de la fenêtre choisie pour vous assurer que l'assemblage repose correctement et qu'il y a une pente de 3/16 po vers l'extérieur. Si vous envisagez d'utiliser une carte de protection de bardage (voir l'étape 5), tenez la carte en place pour tester la configuration de l'assemblage de la plate-forme.



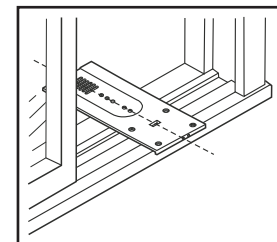
### 2. Mesurez et marquez le rebord de la fenêtre.

Mesurer 8 11/16" du montant de la fenêtre et marquer une ligne sur le rebord de la fenêtre. Cette marque aidera à centrer la plate-forme de support dans la fenêtre. Si un arrêt d'ouvrant dépasse de plus d'un pouce des jambages de la fenêtre latérale, la mesure doit être augmentée en conséquence. Les cadres d'écran et de fenêtre tempête peuvent également nécessiter des ajustements à la mesure.



### 3. Faire des trous de vis pour la plate-forme.

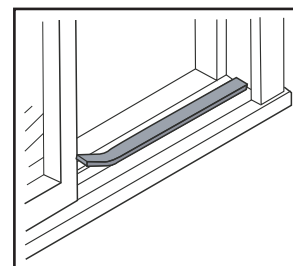
Centrez l'ensemble de la plate-forme sur la ligne marquée à l'étape précédente avec la languette de la plateforme intérieure appuyée contre le bord intérieur de la glissière de la fenêtre. En vous guidant sur les trous de la plate-forme, marquez et percez deux trous de 9/64" de diamètre. Percez des trous dans les deux voies ou dans les selles.



**Attention:** Assurez-vous que le tabouret en bois ou la glissière de fenêtre est solidement fixé à la construction du bâtiment. Utilisez des vis plus longues pour atteindre le sous-cadre si nécessaire.

### 4. Ajouter le joint de piste en mousse.

Retirez le film de protection du joint de la bande en mousse. Appliquez le joint sur le côté de la pièce de la fenêtre. Le centre du joint en mousse doit coïncider avec la ligne marquée à l'étape 2. Les deux trous de vis percés à l'étape 3 doivent être directement au-dessus du joint en mousse dans la voie interne.



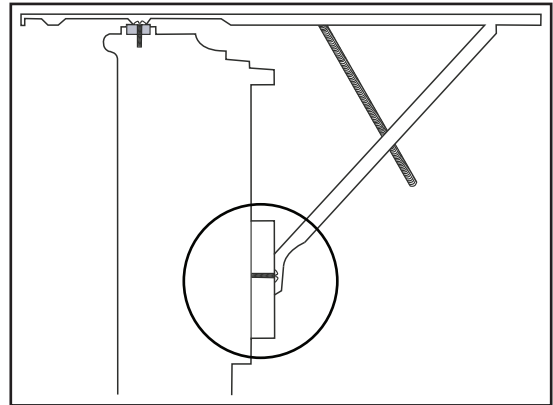
# INSTRUCTIONS D'INSTALLATION

## INSTALLATION DANS UNE FENÊTRE COULISSANTE

### 5. Ajouter un panneau de protection de bardage.

Un panneau de protection de bardage peut être utilisé pour protéger le bardage de la maison contre les dommages. La planche devrait être assez longue pour couvrir deux montants de mur.

Régalez l'ensemble de la plate-forme de sorte que le climatiseur soit à 1" à 1 1/4" plus bas à l'arrière, incliné d'environ 3° à 4° vers le bas à l'extérieur. Cela permet à la condensation qui se forme à l'intérieur de l'appareil lors d'une utilisation normale de s'écouler vers l'extérieur.

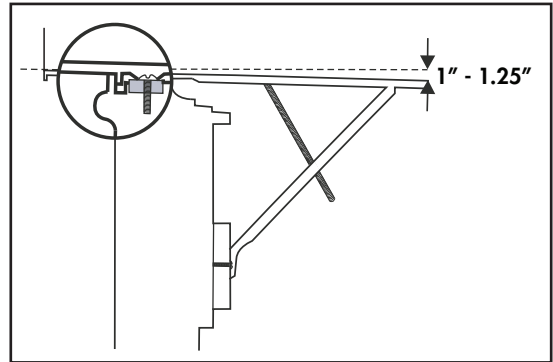


### 6. Installez l'assemblage de la plate-forme.

Placer l'ensemble de la plate-forme dans la fenêtre avec la languette de la plate-forme contre l'intérieur de la glissière de la fenêtre et l'attacher au montant de la fenêtre en utilisant les vis fournies.

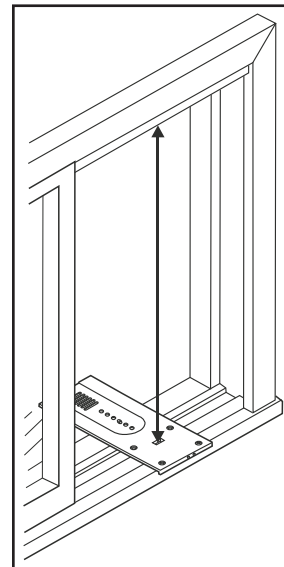
Assurez-vous que la plate-forme est inclinée de 1" à 1 1/4" (3° à 4°) vers le bas à l'extérieur.

Assurez-vous que l'assemblage de la plate-forme est de niveau d'un côté à l'autre. Assurez-vous que la piste de la fenêtre est de niveau. Utilisez des cales de nivellement au besoin pour vous assurer que l'appareil est de niveau.



### 7. Couper le panneau de fenêtre en plastique.

Mesurez la hauteur de l'ouverture de la fenêtre depuis le haut de l'assemblage de la plate-forme jusqu'au haut de l'ouverture de la fenêtre. Soustraire 20 5/8\" pour tenir compte de la taille du climatiseur et marquer la mesure sur le panneau de fenêtre en plastique le long du côté le plus long. Couper le panneau à la bonne taille et enlever les bavures avec un fichier.

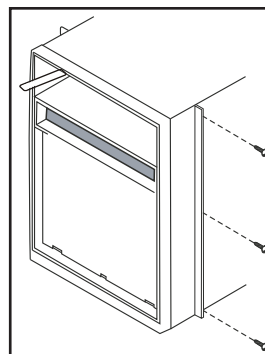


# INSTRUCTIONS D'UTILISATION

## INSTALLATION DANS UNE FENÊTRE COULISSANTE

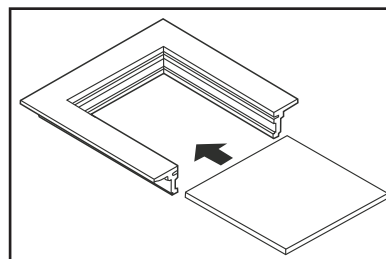
### 8. Fixez les canaux latéraux.

Fixez les canaux latéraux aux côtés du climatiseur en utilisant les vis fournies. Assurez-vous que les extrémités des crochets sont orientées vers l'arrière de l'appareil.



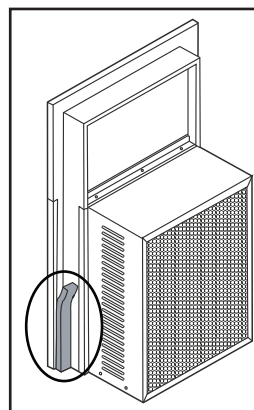
### 9. Assembler le panneau de fenêtre et le cadre

Faites glisser le panneau de fenêtre en plastique dans le cadre du panneau avec le côté lisse face à la pièce. Faites glisser l'assemblage du cadre du panneau dans les canaux latéraux du boîtier du climatiseur. Assurez-vous que le panneau de fenêtre en plastique est fermement fermé de tous les côtés par les rainures de retenue.



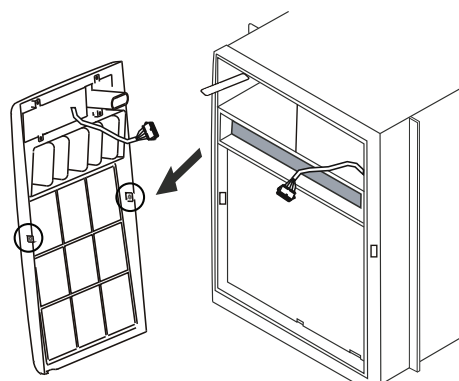
### 10. Ajouter le coupe-froid

Couper le joint en mousse du canal latéral en deux longueurs égales. Retirez le support de protection et appliquez-le sur le côté arrière des canaux latéraux de l'armoire, en commençant juste en dessous de l'assemblage du cadre du panneau. Couper toute longueur excessive afin que le joint soit aligné avec le fond du canal latéral du meuble.



### 11. Retirez le panneau avant.

Retirez les deux vis de fixation avant du cadre avant. Tirez l'avant et soulevez pour libérer le couvercle avant de l'armoire. Relâchez les fiches du coupleur. Le retrait du panneau avant vous permettra d'installer le support de sécurité à l'étape 13.



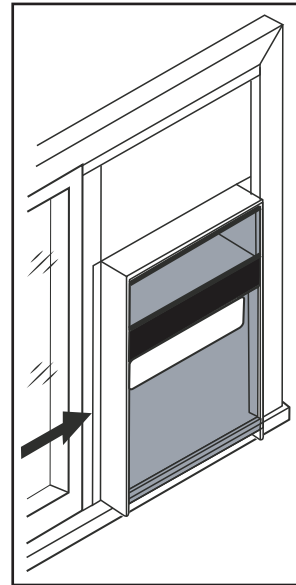
# INSTRUCTIONS D'UTILISATION

## INSTALLATION DANS UNE FENÊTRE COULISSANTE

### 12. Installez le climatiseur.

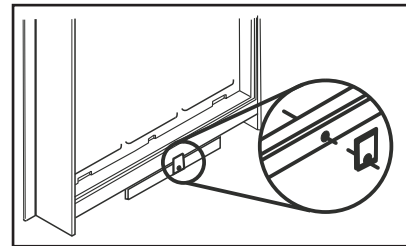
Placez le climatiseur dans l'ouverture de la fenêtre. Il devrait reposer sur l'ensemble de la plate-forme de sorte que le cadre du panneau de la fenêtre et les canaux latéraux de l'armoire soient contre les montants supérieurs et latéraux des fenêtres.

Faites glisser le châssis de la fenêtre intérieure fermement contre le côté de l'armoire. Assurez-vous de ne pas décoller les joints en mousse des glissières latérales ou des glissières. Si le cadre du panneau ne s'ajuste pas parfaitement contre le châssis de la fenêtre intérieure, fixez le cadre du panneau au châssis à l'aide de vis de 3/4" ou de vis autotaraudeuses de 3/4". Utilisez les trous partiellement bouchés dans le cadre du panneau. Percer des avant-trous de 1/8" pour les vis.



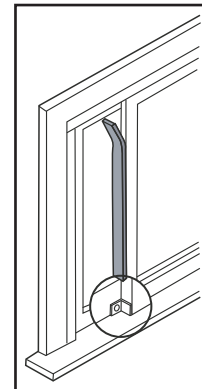
### 13. Installez le support de sécurité.

Accrochez le support de sécurité sur la base de l'armoire et fixez-le à l'avant de la plate-forme à l'aide d'une vis autotaraudeuse de 3/4". Le support de sécurité empêche le mouvement du climatiseur après l'installation.



### 14. Installez la mousse de châssis et le verrou de fenêtre.

Insérez le joint de la fenêtre en mousse entre le châssis vertical et la vitre. Utilisez le support de verrouillage de la fenêtre pour verrouiller la fenêtre intérieure à la base de la fenêtre extérieure. Utilisez une vis 3/4" ou une vis autotaraudeuse 3/4".



### 15. Remplacez le couvercle avant.

Rebranchez les fiches de couplage et assurez-vous que la commande d'échappement est positionnée à travers le couvercle avant à l'emplacement correct. Remplacez les vis de fixation sur les côtés de l'armoire qui maintiennent le capot avant en place.



# INSTRUCTIONS D'UTILISATION

## INSTALLATION DANS UNE FENÊTRE BATTANT

Si vous installez le climatiseur dans une fenêtre à battants, suivez les étapes ci-dessus pour une fenêtre coulissante, mais gardez les points suivants à l'esprit:

- Ouvrez la fenêtre le montant maximum pour permettre le dégagement de l'armoire.
- La manivelle doit être retirée pour permettre à l'ensemble de la plate-forme d'être fixé au montant de la fenêtre.
- Si la fenêtre ne peut pas s'ouvrir assez loin pour que l'armoire puisse dégager la fenêtre (plus de 15 1/2"), enlevez complètement la fenêtre en perçant les rivets. Les boulons peuvent servir de pivots dans le futur.
- Pour éviter les problèmes de manivelle et de dégagement de la fenêtre, installez l'appareil dans une section de châssis fixe. Le meneau horizontal et les deux panneaux de verre doivent être enlevés avant l'installation.

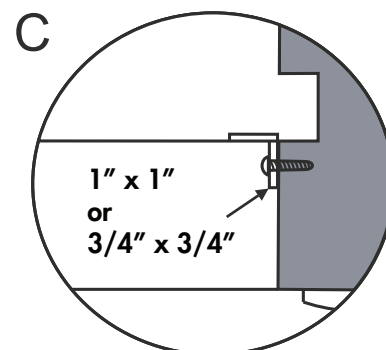
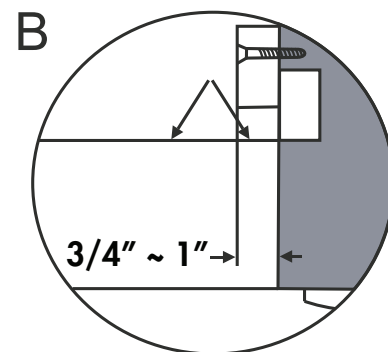
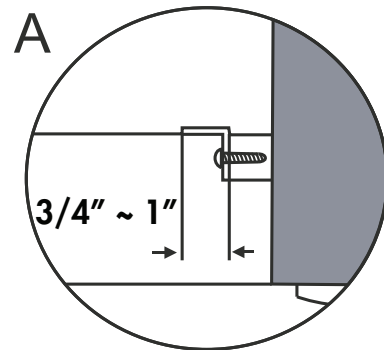
## APPLICATIONS ALTERNÉES DE JAMBAGE DE FENÊTRE

Pour installer le climatiseur dans les fenêtres qui n'ont pas de brides ou de butées en bois sur les jambages supérieurs et latéraux, les canaux et le cadre du panneau doivent être ajustés contre une bride de raccordement (ou un angle épais maximal de 1/16") fixé aux montants des fenêtres.

La figure A montre cet angle installé.

Les figures B et C montrent d'autres traitements.

Du côté ouvrant de l'ouverture, le coin avant de la ceinture intérieure devient la bride. Vous pouvez acheter la bande d'angle localement.





# INSTRUCTIONS D'UTILISATION

## PANNEAU DE CONTRÔLE

### 1. Contrôle d'échappement:

- En position fermée, le climatiseur circulera uniquement à l'intérieur de l'air. Utilisez la position fermée lorsque le refroidissement maximum est désiré ou pour la circulation de l'air lorsque l'appareil est en mode ventilateur.
- En position ouverte, le climatiseur évacue l'air vers l'extérieur. Utilisez la position ouverte pour évacuer l'air vicié de la pièce et l'évacuer vers l'extérieur pour aspirer de l'air frais dans la maison.

2. **Bouton de mode:** Appuyez sur pour sélectionner le mode désiré.

### 3. Bouton d'économie d'énergie:

- La fonction d'économie d'énergie active et désactive automatiquement le ventilateur lorsque le compresseur n'est pas utilisé pour réduire la fréquence à laquelle le compresseur doit s'allumer. Cette fonction est disponible dans les modes refroidissement, séchage, refroidissement automatique et ventilation automatique.
- Le ventilateur continuera à fonctionner pendant 3 minutes après l'extinction du compresseur. Le ventilateur se met alors en marche pendant 2 minutes par intervalles de 10 minutes jusqu'à ce que la température ambiante soit au-dessus de la température réglée, moment auquel le compresseur s'allume et le refroidissement reprend.

4. **Bouton de minuterie:** Appuyez sur pour démarrer les fonctions de mise en marche automatique ou d'arrêt automatique.

### 5. Boutons haut et bas:

- Utilisé pour régler la température et la minuterie.
- Appuyez simultanément sur les boutons haut et bas simultanément pendant 3 secondes pour modifier l'affichage de la température entre ° F et ° C.

6. **Panneau d'affichage:** Affiche la température réglée, la température ambiante et les réglages de la minuterie. Pour changer l'échelle de température affichée, appuyez sur les boutons haut et bas en même temps.

### 7. Bouton de dormir:

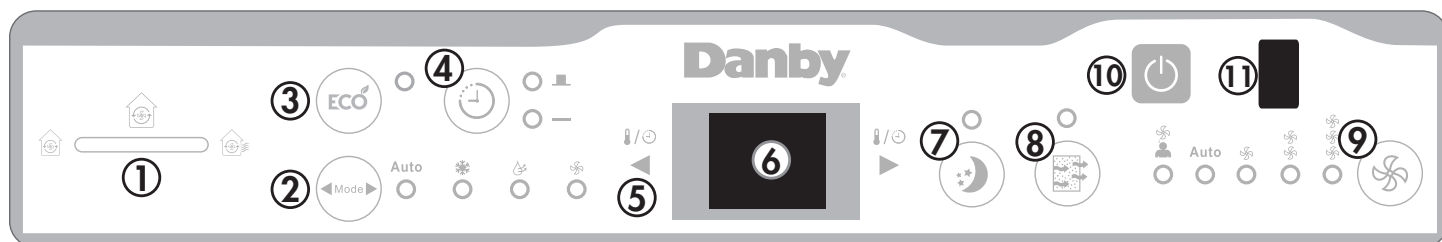
- La fonction de dormir peut être utilisée pour conserver l'énergie pendant les heures de sommeil. Lorsque cette option est sélectionnée, la température réglée augmente de 1°C/2°F toutes les demi-heures pendant une heure complète. L'appareil maintiendra la nouvelle température réglée pendant 6 heures avant de revenir automatiquement au fonctionnement normal.

8. **Bouton de filtre:** Le voyant s'allumera comme un rappel pour vérifier le filtre. Une fois le filtre nettoyé, utilisez ce bouton pour reprendre l'opération.

9. **Bouton du ventilateur:** Utilisé pour régler la vitesse du ventilateur. Le ventilateur peut être réglé sur bas, moyen, haut et auto.

10. **Bouton d'alimentation:** Appuyez pour allumer ou éteindre l'appareil.

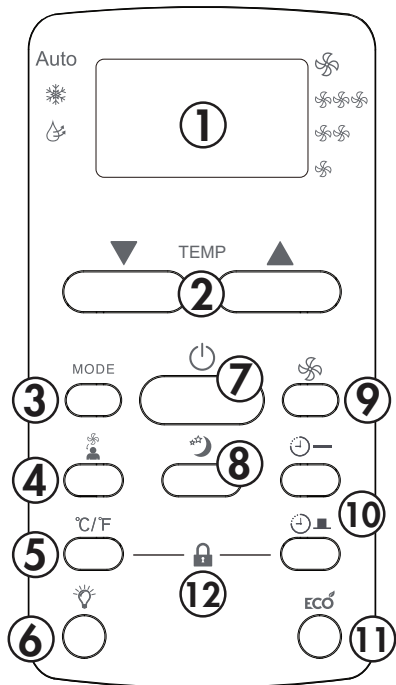
### 11. Récepteur de télécommande



# INSTRUCTIONS D'UTILISATION

## TÉLÉCOMMANDE

1. **Panneau d'affichage:** Affiche la température définie, la température ambiante et les réglages de la minuterie. Pour changer l'échelle de température affichée, appuyez sur la touche °C/°F.
2. **Flèches haut et bas:** Utilisé pour régler la température de consigne par incréments de 1° et la fonction de minuterie par incréments de 30 minutes jusqu'à 10 heures, puis par incréments de 1 heure jusqu'à 24 heures.
3. **Bouton mode:** Utilisé pour choisir le mode de fonctionnement.
4. **Bouton suivez-moi:** Utilisé pour définir la fonction suivez-moi.
5. **Bouton °C/°F:** Utilisez pour changer l'échelle de température.
6. **Bouton LED:** Appuyez sur pour allumer ou éteindre le rétroéclairage LED.
7. **Bouton d'alimentation:** Utilisé pour allumer ou éteindre l'appareil.
8. **Bouton de dormir:** Utilisé pour régler la fonction dormir.
9. **Bouton ventilateur:** Utilisé pour régler la vitesse du ventilateur. Le ventilateur peut être réglé sur bas, moyen, haut et auto.
10. **Boutons de minuterie:** Utilisé pour régler la temporisation automatique et la temporisation automatique.
11. **Bouton d'économie d'énergie:** Utilisé pour définir la fonction économiseur d'énergie.
12. **Bouton de verrouillage:** Appuyez simultanément sur les touches °C/°F et la minuterie pour verrouiller la télécommande et éviter que les réglages ne soient modifiés par inadvertance.



## PILES DE LA TÉLÉCOMMANDE

La télécommande nécessite deux piles alcalines AAA (incluses). Les piles doivent être remplacées lorsque:

- a) Aucun son n'est entendu lors de la tentative de programmation de l'appareil.
- b) L'appareil ne répond pas à une commande émise par la télécommande.

### Remplacement de la batterie:

1. Faites glisser le capot arrière sur la télécommande dans le sens de la flèche.
2. Insérez deux piles AAA suivant la même orientation représentée à l'intérieur de la chambre de la batterie (+/-).
3. Réinstallez le capot arrière.
4. Si la télécommande n'est pas utilisée pendant de longues périodes, les piles doivent être retirées.

### Remarques:

- Protégez la télécommande contre les températures élevées et évitez l'exposition au rayonnement.
- Gardez le récepteur du panneau de contrôle hors de la lumière directe du soleil.
- Ne mélangez pas les piles neuves et usées.
- Ne pas mélanger des piles alcalines, standard (carbone-zinc) ou rechargeables (ni-cad, ni-mh, etc.).
- La télécommande fonctionne à une distance de 8 mètres (26 pi) du récepteur situé à l'intérieur de l'appareil principal. Toute obstruction entre le récepteur et la télécommande peut provoquer des interférences de signal, ce qui limite la capacité de programmer l'unité principale.

# INSTRUCTIONS D'UTILISATION

## RÈGLEMENT SUR LA TÉLÉCOMMANDE

Cet appareil numérique de classe B est conforme à la norme canadienne CAN ICES-003(B)/NMB-003(B).

Cet équipement a été testé et déclaré conforme aux limites d'un appareil numérique de classe B, conformément à la partie 15 des règles de la FCC. Ces limites sont conçues pour fournir une protection raisonnable contre les interférences nuisibles dans une installation résidentielle.

Cet équipement génère, utilise et peut émettre de l'énergie de fréquence radio et, s'il n'est pas installé et utilisé conformément aux instructions, peut causer des interférences nuisibles aux communications radio. Cependant, il n'y a aucune garantie que des interférences ne se produiront pas dans une installation particulière.

Si cet équipement cause des interférences nuisibles à la réception radio ou télévision, ce qui peut être déterminé en éteignant et en rallumant l'équipement, l'utilisateur est encouragé à essayer de corriger l'interférence par une ou plusieurs des mesures suivantes :

1. Réorienter ou déplacer l'antenne de réception.
2. Augmenter la distance entre l'équipement et le récepteur.
3. Connectez l'équipement à une prise sur un circuit différent de celui auquel le récepteur est connecté.
4. Consultez le revendeur ou un technicien radio/TV expérimenté pour obtenir de l'aide.

Les changements ou modifications non approuvés par la partie responsable de la conformité FCC et Industrie Canada pourraient annuler l'autorité de l'utilisateur à faire fonctionner l'équipement. Cet appareil est conforme à la partie 15 des règles de la FCC.

Le fonctionnement est soumis aux conditions suivantes :

1. Cet appareil ne doit pas causer d'interférences nuisibles.
2. Cet appareil doit accepter toute interférence reçue, y compris les interférences susceptibles de provoquer un fonctionnement indésirable.

## DÉCLARATION DE CONFORMITÉ DU FOURNISSEUR

47 CFR § 2.1077 Informations de conformité

**Identifiant unique :** Danby, RG51G(1)/CEFU1

**Coordonnées de la partie responsable aux États-Unis :**

Danby Products Inc.

1800 Production Drive

Findlay, OH

45840

**Numéro de téléphone ou coordonnées Internet :** Danby.com

**Déclaration de conformité FCC :** Cet appareil est conforme à la partie 15 des règles FCC. Le fonctionnement est soumis aux conditions suivantes :

1. Cet appareil ne doit pas causer d'interférences nuisibles.
2. Cet appareil doit accepter toute interférence reçue, y compris les interférences susceptibles de provoquer un fonctionnement indésirable.

# INSTRUCTIONS D'UTILISATION

## INSTRUCTION DE FONCTION

### Modes de fonctionnement

Il y a quatre modes de fonctionnement à choisir. Appuyez plusieurs fois sur le bouton Mode pour choisir le mode désiré. Le voyant adjacent s'allume pour indiquer quel mode a été sélectionné.

- **Mode de refroidissement**

Choisissez le mode de refroidissement pour régler la fonction de refroidissement. Utilisez les flèches haut et bas pour choisir la température désirée. Lorsque le mode Cool est sélectionné, la vitesse du ventilateur peut être ajustée en appuyant sur le bouton du ventilateur.

- **Mode sec**

Choisissez le mode sec pour éliminer l'excès d'humidité de l'air pendant les périodes de forte humidité. Toute l'eau tirée de l'air se condense à l'intérieur de l'appareil et s'écoule par l'arrière. La vitesse du ventilateur sera automatiquement réglée et ne peut pas être modifiée en mode sec.

- **Mode du ventilateur**

Choisissez le mode ventilateur pour faire fonctionner le ventilateur interne sans engager la fonction de refroidissement. Appuyez plusieurs fois sur le bouton du ventilateur pour choisir la vitesse du ventilateur, faible, moyenne, élevée ou automatique.

- **Mode automatique**

Le mode automatique est un programme d'usine prédéfini qui définit automatiquement le mode (refroidissement ou séchage) et la vitesse du ventilateur en fonction de la température définie, de la température ambiante et de l'humidité ambiante.

## FLÈCHES HAUT ET BAS

Les flèches haut et bas modifient la température réglée par incréments de 1°.

Les flèches vers le haut et vers le bas modifient l'heure réglée de la fonction de minuterie par incréments de 0,5 heure jusqu'à 10 heures, puis par incréments de 1 heure jusqu'à 24 heures maximum.

## FONCTION DE MINUTERIE

La fonction minuterie peut être utilisée pour allumer ou éteindre l'appareil après une période définie.

### Fonction d'allumage automatique

1. Appuyez une fois sur le bouton de la minuterie et le voyant d'activation automatique s'allume.
2. Utilisez les flèches haut et bas pour sélectionner la durée souhaitée avant que l'appareil ne s'allume.
3. Utilisez le bouton mode pour sélectionner le mode désiré.
4. Utilisez le bouton du ventilateur pour sélectionner la vitesse du ventilateur souhaitée.
5. L'heure sélectionnée apparaîtra sur le panneau d'affichage et sera décomptée jusqu'à ce que l'appareil s'allume.

### Fonction d'arrêt automatique

1. Appuyez deux fois sur le bouton de la minuterie et le voyant d'extinction automatique s'allume.
2. Utilisez les flèches haut et bas pour sélectionner la durée souhaitée avant que l'appareil ne s'éteigne.
3. L'heure sélectionnée apparaîtra sur le panneau d'affichage et décomptera jusqu'à ce que l'appareil s'éteigne.

### Utilisation de l'allumage automatique et de l'arrêt automatique simultanés

S'il est nécessaire que l'appareil s'allume, fonctionne pendant un certain temps puis s'éteigne, les fonctions de marche automatique et d'arrêt automatique peuvent être utilisées en même temps en réglant d'abord l'une puis l'autre. Les deux voyants s'allument et l'affichage compte jusqu'à ce que l'appareil s'allume ou s'éteigne, quelle que soit la fonction réglée en premier.

**Remarque:** La minuterie n'active pas l'appareil indéfiniment. Les minuteries de mise en marche automatique et d'arrêt automatique fonctionneront une fois, puis l'appareil retournera au fonctionnement normal.

Si vous éteignez l'appareil, appuyez sur le bouton par défaut de la télécommande ou débranchez l'appareil pour effacer tous les paramètres de la mémoire, y compris la minuterie.

## INSTRUCTIONS D'UTILISATION

### FONCTION DE SUIVEZ-MOI

Il existe un capteur de température intégré dans la télécommande qui collectera en continu la température ambiante actuelle. Gardez la télécommande avec vous et l'appareil réglera automatiquement la température réglée en fonction de la température actuelle où vous vous trouvez pour atteindre l'état et la température les plus confortables.

Appuyez sur le bouton suivez-moi pour activer la fonction Suivez-moi. La télécommande affichera la température actuelle à son emplacement. La télécommande envoie un signal au climatiseur toutes les 3 minutes, à condition de rester à portée de l'appareil.

Le voyant suivez-moi sur le panneau de commande de l'appareil s'allume pendant 5 secondes toutes les trois minutes pour indiquer qu'il a reçu un signal de la télécommande. Si l'appareil ne reçoit pas un signal de la télécommande pendant un intervalle de 7 minutes, il sonne pour indiquer que le mode Suivez-moi s'est terminé.

La distance maximale pour la fonction suivez-moi est de 8 mètres (26 pieds). Cette fonction est disponible en mode refroidissement et auto.

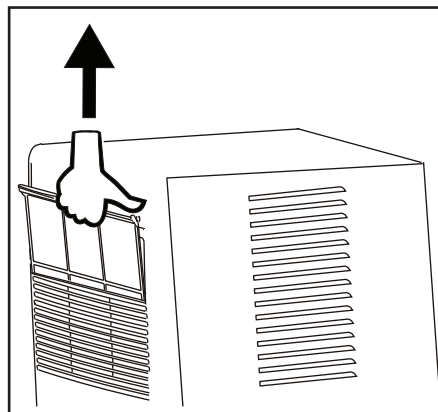
## SOINS ET MAINTENANCE

### FILTRE À AIR

Le voyant du filtre de contrôle sur le panneau de commande s'allume après 250 heures de fonctionnement pour vous rappeler de vérifier le filtre. Suivez les étapes ci-dessous pour nettoyer le filtre et remettre l'appareil en fonctionnement normal.

1. Le filtre à air est situé derrière la grille d'admission avant. Pour retirer le filtre à air, saisissez la languette du filtre sur le dessus du gril et tirez vers le haut.
2. Utilisez un aspirateur muni d'une brosse douce pour enlever les gros débris ou la poussière accumulés dans le filtre à air.
3. Lavez le filtre dans de l'eau tiède et savonneuse, en dessous de 40°C (104°F), ou utilisez un agent de nettoyage neutre.
4. Rincez le filtre avec de l'eau propre et séchez soigneusement avant de le réinstaller dans l'appareil.
5. Appuyez sur le bouton du filtre sur le panneau de commande pour rétablir le fonctionnement normal.

**Remarque:** Ne faites pas fonctionner l'appareil sans le filtre à air installé.



## SOINS ET MAINTENANCE

### NETTOYAGE

Pour éviter tout risque d'électrocution, assurez-vous que l'appareil est débranché avant d'effectuer tout nettoyage ou entretien.

L'extérieur de l'appareil peut être nettoyé avec un chiffon doux ou avec un chiffon humide tiède si nécessaire.

N'utilisez pas d'essence, de benzène, de diluant ou d'autres produits chimiques pour nettoyer cet appareil car ces substances peuvent endommager la finition et la déformation des pièces en plastique.

Ne versez jamais d'eau directement sur l'appareil, car cela pourrait détériorer les composants électriques et l'isolation du câblage.

### SOINS DE FIN DE SAISON

Avant de mettre l'appareil hors service pour l'année, faites fonctionner l'appareil en mode ventilateur élevé pendant une demi-journée pour vous assurer que l'intérieur de l'appareil est sec. Cela aidera à éviter la formation de moisissure ou de moisissure à l'intérieur de l'appareil. Assurez-vous que le filtre est propre et sec. Rangez l'appareil dans un endroit sec.

**Remarque:** Lors de l'installation ou du retrait de l'appareil de la fenêtre, assurez-vous de faire attention de ne pas tomber en arrière. Il est recommandé de procéder à l'installation ou à la dépose en prévoyant une assistance pour éviter de blesser des personnes ou d'endommager les biens ou l'appareil.

### DISPOSITION

Vérifiez la conformité réglementaire locale concernant l'élimination approuvée et sûre de cet appareil.

### CODES D'ERREUR

**AS** - Erreur du capteur de température ambiante



- Erreur du capteur de température de l'évaporateur

## DÉPANNAGE

### L'appareil ne fonctionnera pas

- La fiche n'est pas complètement insérée dans la prise murale
- Fusible soufflé ou disjoncteur

### Refroidissement insuffisant

- Les filtres à air sont sales
- Flux d'air bloqué
- La taille de l'appareil est trop petite pour l'application

### Bruit

- Le terrain n'est pas au niveau
- Les filtres à air sont sales
- Les sons de gargouille sont normaux; c'est le fluide frigorigène qui se déplace à l'intérieur de l'appareil

### Odeurs

- Formation de moisissure sur des surfaces intérieures humides
- Placer un comprimé d'algaïcide dans un moule de base; enfoncer la tablette à travers la grille à l'arrière de l'appareil



## GARANTIE LIMITÉE « EN ATELIER »

Cet appareil de qualité est garanti exempt de tout vice de matière première et de fabrication, s'il est utilisé dans les conditions normales recommandées par le fabricant.

Cette garantie n'est offerte qu'à l'acheteur initial de l'appareil vendu par Danby Products Limited (Canada) ou Danby Products Inc. (É.-U.) (ci-après « Danby ») ou par l'un des ses distributeurs agréés et elle ne peut être transférée.

### CONDITIONS

Les pièces en plastique sont garanties pendant trente (30) jours seulement à partir de la date de l'achat, sans aucune prolongation prévue.

**Premiers 24 mois** Pendant les premiers **vingt quatre (24) mois**, toutes les pièces fonctionnelles de ce produit qui s'avèrent défectueuses seront réparées ou remplacées, selon le choix du garant, sans frais à l'acheteur initial.

**Pour obtenir un service** Contactez le revendeur où l'appareil a été acheté ou contactez le dépôt de service Danby autorisé le plus proche, où le service doit être effectué par un technicien de service qualifié. Si le service est effectué sur l'appareil par une personne autre qu'un dépôt de service autorisé, toutes les obligations de Danby en vertu de cette garantie seront annulées.

Il est de la responsabilité de l'acheteur de transporter l'appareil vers le dépôt de service agréé le plus proche.

Les frais de transport entre votre domicile et le lieu de l'entretien ne sont pas couverts par la présente garantie et doivent être acquittés par l'acheteur.

Aucune partie de la garantie ne prévoit implicitement que le fabricant sera tenu responsable des dommages subis par les aliments ou d'autres types de contenu, qu'ils soient causés par la défectuosité de l'appareil ou par son usage adéquat ou inadéquat.

### EXCLUSIONS

En vertu de la présente, il n'existe aucune autre garantie, condition ou représentation, qu'elle soit exprimée ou tacite, de façon manifeste ou intentionnelle, par Danby ou ses distributeurs agréés. De même, sont exclues toutes les autres garanties, conditions ou représentations, y compris les garanties, conditions ou représentations en vertu de toute loi régissant la vente de produits ou de toute autre législation ou règlement semblable. **En vertu de la présente, Danby ne peut être tenue responsable en cas de blessures corporelles ou de dégâts matériels, y compris à l'appareil, quelle qu'en soit la cause. Danby ne peut pas être tenue responsable des dommages indirects dus au fonctionnement défectueux de l'appareil. En achetant l'appareil, l'acheteur accepte de tenir sans reproche et de dégager Danby de toute responsabilité en cas de réclamation pour toute blessure corporelle ou tout dégât matériel causé par cet appareil.**

### CONDITIONS GÉNÉRALES

La garantie ou assurance ci-dessus ne s'applique pas si les dégâts ou réparations sont dus aux cas suivants :

- 1) Panne de courant.
- 2) Dommages subis pendant le transport ou le déplacement de l'appareil.
- 3) Alimentation électrique incorrecte (tension faible, câblage défectueux, fusibles incorrects).
- 4) Accident, modification, emploi abusif ou incorrect de l'appareil tel qu'une circulation d'air inadéquate dans la pièce ou des conditions de fonctionnement anormales (température extrêmement élevée ou basse).
- 5) Utilisation dans un but commercial ou industriel (à savoir, si l'appareil n'est pas installé dans un domicile résidentiel).
- 6) Incendie, dommages causés par l'eau, le vol, la guerre, une émeute, des hostilités, ou en cas de force majeure (ouragan, inondation, etc.).
- 7) Visites d'un technicien pour expliquer le fonctionnement de l'appareil au propriétaire.
- 8) Installation inappropriée (par exemple, encastrement d'un appareil autoportant, ou utilisation extérieure d'un appareil non conçu à cet effet, y compris, mais sans s'y limiter : les garages, les patios, les porches ou ailleurs, qui ne sont pas correctement isolés ou climatisés).

La preuve de la date d'achat sera requise pour les réclamations de garantie; conserver la facture de vente. Dans le cas où un service de garantie est requis, présentez la preuve d'achat à notre dépôt de service agréé.

### Service sous garantie

En Atelier

Danby Products Limited  
PO Box 1778, Guelph, Ontario, Canada N1H 6Z9  
Téléphone : (519) 837-0920 Télécopieur : (519) 837-0449

**1-800-263-2629**  
02/18

Danby Products Inc.  
PO Box 669, Findlay, Ohio, U.S.A. 45840  
Téléphone : (419) 425-8627 Télécopieur : (419) 425-8629

# Bienvenue dans la famille Danby.

Nous sommes fiers de nos produits de qualité et nous croyons en un service fiable. Nous vous suggérons de lire ce manuel du propriétaire avant de brancher votre nouvel appareil car il contient des informations de fonctionnement importantes, des informations de sécurité, des conseils de dépannage et d'entretien pour assurer la fiabilité et la longévité de votre appareil.

Vous avez droit à la couverture de la garantie décrite dans le manuel du propriétaire fourni avec votre nouvel appareil.

1. Veuillez noter ci-dessous les informations relatives à votre appareil. **Vous devez conserver la preuve d'achat originale pour valider et bénéficier des services de garantie.**
2. Enregistrez votre produit en ligne et recevez une **PROLONGATION DE GARANTIE GRATUITE DE 2 MOIS** après avoir rempli une enquête sur les produits, à l'adresse [www.danby.com/support/product-registration/](http://www.danby.com/support/product-registration/)

Numéro de modèle : \_\_\_\_\_

Numéro de série : \_\_\_\_\_

Date d'achat : \_\_\_\_\_

## Besoin d'assistance?

1. Lisez votre manuel du propriétaire pour obtenir de l'aide à l'installation, au dépannage et à la maintenance.
2. Visitez [www.Danby.com](http://www.Danby.com) pour accéder aux outils en libre-service, aux FAQ et bien plus encore en recherchant votre numéro de modèle dans la barre de recherche.
3. Pour bénéficier du **service client le plus rapide**, veuillez remplir le formulaire Web à l'adresse [www.danby.com/support](http://www.danby.com/support). Votre soumission ira directement à un expert de votre appareil particulier. Nos temps de réponse moyens sont compris entre 20 minutes et 2 heures, pendant les heures ouvrables EST.
4. Composez le **1-800-263-2629** - veuillez noter que pendant les heures de pointe, les temps d'attente peuvent dépasser une heure.





## Información de Seguridad Importante

### LEA Y SIGA TODAS LAS INSTRUCCIONES DE SEGURIDAD

#### REQUERIMIENTOS DE SEGURIDAD

Este aparato no está diseñado para ser utilizado por personas (incluyendo niños) cuyas capacidades físicas, sensoriales o mentales sean diferentes o reducidas, o que carezcan de experiencia o conocimiento, a menos que dichas personas reciban supervisión o entrenamiento para operar el aparato por una persona responsable de su uso. La seguridad.

Los niños deben ser supervisados para asegurarse de que no juegan con el aparato.

Para evitar el riesgo de descarga eléctrica, no utilice este aparato en un área que pueda acumular agua estancada. Si se desarrolla esta condición, desconecte la fuente de alimentación antes de entrar en el agua.

No almacene ni utilice materiales combustibles tales como gasolina u otros vapores o líquidos inflamables cerca de este o de cualquier otro aparato.

No introduzca los dedos u otros objetos en las parrillas o aberturas del aparato.

No cubra ni bloquee las aberturas de admisión y de escape.

No opere el aparato sin el filtro instalado.

No utilice el aparato cerca de fuentes de calor.

Este aparato está destinado únicamente a aplicaciones interiores y residenciales. No utilice este aparato al aire libre. No utilice este aparato para aplicaciones comerciales o industriales.

Si el acondicionador de aire es transportado en su parte posterior o lateral, se debe permitir que se mantenga erguido durante 6 horas antes de enchufarlo para evitar daños a los componentes internos.

Mantenga el aparato alejado de paredes, muebles y cortinas con un espacio de al menos 30 cm (12 pulgadas) por todos lados.

#### INSTRUCCIONES DE CONEXION A TIERRA

Este aparato debe estar conectado a tierra. La puesta a tierra reduce el riesgo de descarga eléctrica proporcionando un cable de escape para la corriente eléctrica.

Este aparato tiene un cable que tiene un cable de conexión a tierra con un enchufe de 3 clavijas. El cable de alimentación debe estar enchufado en un tomacorriente que esté debidamente conectado a tierra. Si el tomacorriente es un tomacorriente de dos clavijas, debe ser reemplazado por un tomacorriente de 3 clavijas con conexión a tierra adecuada. La placa de características en serie indica el voltaje y la frecuencia para los que está diseñado el artefacto.

**ADVERTENCIA** - El uso incorrecto del enchufe de conexión a tierra puede ocasionar un riesgo de descarga eléctrica. Consulte a un electricista o agente de servicio calificado si las instrucciones de conexión a tierra no se entienden completamente o si existe duda sobre si el aparato está debidamente conectado a tierra.

**No conecte el aparato a cables de extensión, adaptadores o junto con otro aparato en la misma toma de corriente.**

No empalme el cable de alimentación. No corte ni extraiga en ningún caso la tercera clavija de tierra del cable de alimentación.

Si el cable de alimentación está dañado, debe ser reemplazado por el fabricante, su agente de servicio o persona calificada similar para evitar riesgos.

**¡GUARDA ESTAS INSTRUCCIONES!**

# INSTRUCCIONES DE INSTALACIÓN

## PREPARACIÓN

### Para ventanas abatibles con marco de madera:

Puede ser necesario construir un marco con madera de al menos 1 pulgada de espesor con una abertura de 15.5 pulgadas de ancho.

### Para la construcción de edificios de ladrillo o cemento:

Puede ser necesario colocar una tira de madera debajo del electrodoméstico para propósitos de montaje.

## HERRAMIENTAS REQUERIDAS

1. Destornillador de cabeza plana
2. Destornillador Phillips
3. Nivel de carpintero
4. Cinta métrica
5. Sierra de dientes finos
6. Taladro eléctrico o de mano

## UBICACIÓN

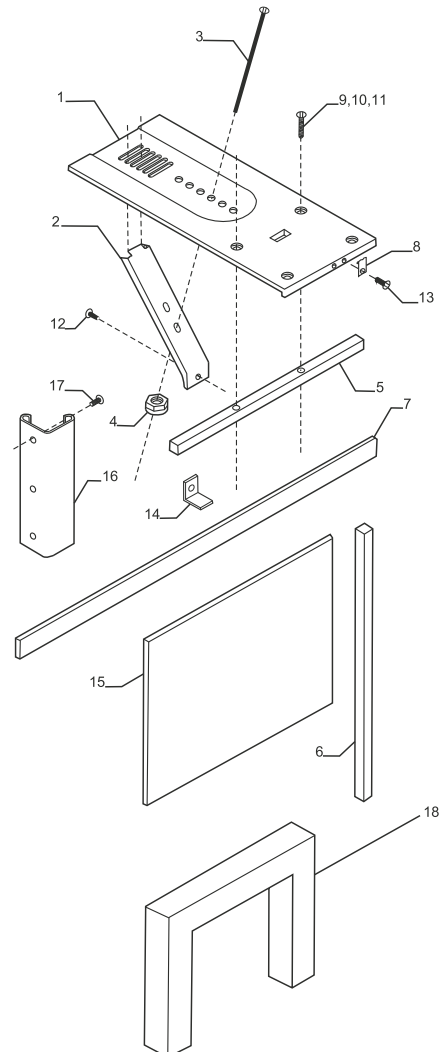
Cuando decida una ubicación de instalación, asegúrese de que la ventana esté a 6 pies de una toma de corriente y elija una ventana que tenga las siguientes dimensiones:

- 15,4 pulgadas (39 cm) de ancho
- 20.9 pulgadas (53 cm) de altura mínimo
- 39,6 pulgadas (100,5 cm) altura máxima

Nota: Las medidas de altura deben ser de una abertura despejada sobre una plataforma de montaje. En algunos casos, las dimensiones anteriores pueden variar ligeramente. Si es necesario, la instalación puede completarse agregando jambas de ventana.

## ACCESORIOS

1. Plataforma
2. Soporte de apoyo
3. Perno de ajuste
4. Tuerca de brida hexagonal
5. Seguir el sello
6. Sello de canal lateral
7. Espuma tira de sellado / sello del marco
8. Soporte de seguridad
9. 2 1/2" tornillo (x2)
10. 1 3/4" tornillo (x2)
11. 1" tornillo (x2)
12. 3/4" tornillo (x6)
13. 3/4" tornillo de auto roscado (x7)
14. Soporte de bloqueo de ventana
15. Panel de ventana de plástico
16. Canal lateral (x2)
17. 3/8" tornillo (x6)
18. Conjunto de marco / sello del panel

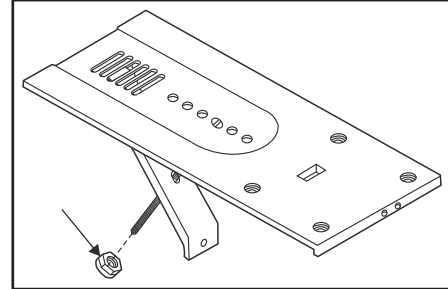


# INSTRUCCIONES DE INSTALACIÓN

## INSTALACIÓN EN UNA VENTANA DESLIZANTE

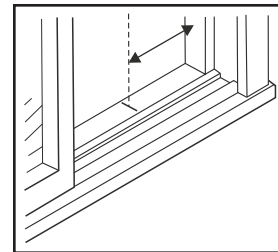
### 1. Fije la abrazadera de soporte a la plataforma.

Utilice el perno de ajuste y la tuerca de brida hexagonal para completar el conjunto. Elija la ranura y el orificio del perno de ajuste que creará un ángulo de 45 grados entre la plataforma y la abrazadera de soporte. Sostenga la plataforma ensamblada en la ubicación de la ventana elegida para asegurarse de que el ensamblaje descansa correctamente y permita una inclinación de  $3/16''$  hacia el exterior. Si planea usar una placa de protección de revestimiento (consulte el paso 5), sostenga la placa en su lugar para probar la configuración del ensamblaje de la plataforma.



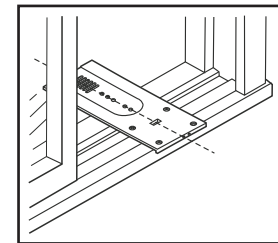
### 2. Mida y marque el alféizar de la ventana.

Mida  $8\ 11/16''$  desde la jamba de la ventana y marque una línea en el alféizar de la ventana. Esta marca ayudará a centrar la plataforma de soporte en la ventana. Si algún tope de guillotina sobresale más de 1 pulgada de las jambas de la ventana lateral, la medición debe aumentarse en consecuencia. Los marcos de ventana de tamiz y tormenta también pueden requerir ajustes en la medición.



### 3. Haga orificios para tornillos para la plataforma.

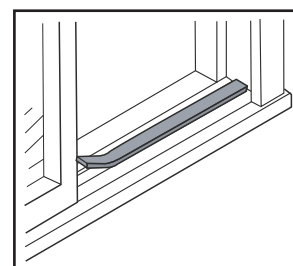
Centre el conjunto de la plataforma en la línea marcada en el paso anterior con la lengüeta de la plataforma interior presionada contra el borde interior de la banda de la ventana. Usando los agujeros en la plataforma como guía, marque y perforo dos orificios de  $9/64''$  de diámetro. Taladre agujeros en cualquier pista o taburete.



**Precaución:** Asegúrese de que el taburete de madera o la ventana estén bien sujetos a la construcción del edificio. Use tornillos más largos para alcanzar el bastidor secundario si es necesario.

### 4. Agregue el sello de pista de espuma.

Retire la parte posterior protectora del sello de la pista de espuma. Aplique el sello al lado de la habitación de la pista de la ventana. El centro del sello de espuma debe coincidir con la línea marcada en el Paso 2. Los dos orificios de los tornillos perforados en el paso 3 deben estar directamente encima del sello de espuma en el carril interno.



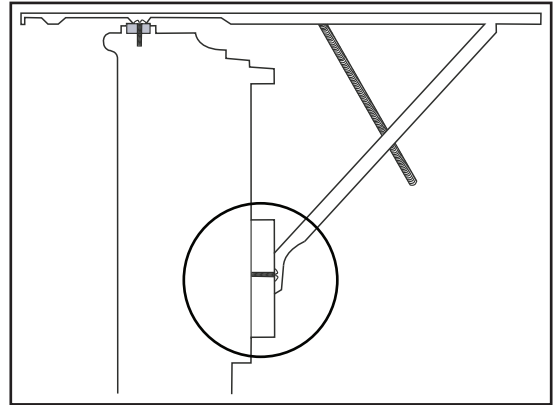
# INSTRUCCIONES DE INSTALACIÓN

## INSTALACIÓN EN UNA VENTANA DESLIZANTE

### 5. Agregue una tabla de protección de revestimiento.

Un tablero de protección de revestimiento se puede utilizar para proteger el revestimiento de la casa del daño. El tablero debe ser lo suficientemente largo para abarcar dos montantes de pared.

Ajuste el conjunto de la plataforma de modo que el acondicionador de aire sea de 1" a 1 1/4" más bajo en la parte posterior, inclinado aproximadamente de 3° a 4° hacia abajo hacia el exterior. Esto permite que la condensación que se forma dentro del artefacto durante el uso normal drene hacia el exterior.

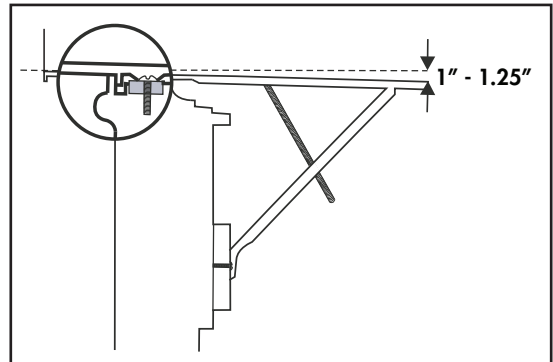


### 6. Instale el conjunto de la plataforma.

Coloque el conjunto de la plataforma en la ventana con la pestaña de la plataforma contra el interior de la guía de la ventana y conéctelo a la jamba de la ventana con los tornillos provistos.

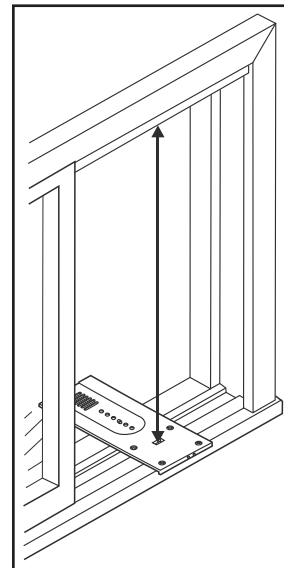
Asegúrese de que el conjunto de la plataforma esté inclinado de 1" a 1 1/4" (3° a 4°) hacia abajo hacia el exterior.

Asegúrese de que el conjunto de la plataforma esté nivelado de lado a lado. Asegúrate de que la pista de la ventana esté nivelada. Use cuñas de nivelación según sea necesario para asegurar que el artefacto esté nivelado.



### 7. Corta el panel de ventana de plástico.

Mida la altura de la abertura de la ventana desde la parte superior del ensamblaje de la plataforma hasta la parte superior de la abertura de la ventana. Reste 20 5/8" para tener en cuenta el tamaño del acondicionador de aire y marque la medida en el panel de la ventana de plástico a lo largo del lado más largo. Corte el panel al tamaño correcto y elimine cualquier rebaba con un archivo.

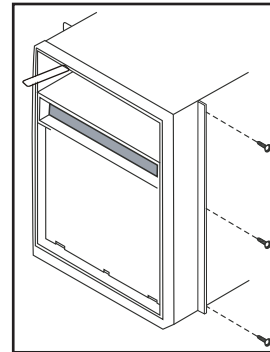


# INSTRUCCIONES DE OPERACIÓN

## INSTALACIÓN EN UNA VENTANA DESLIZANTE

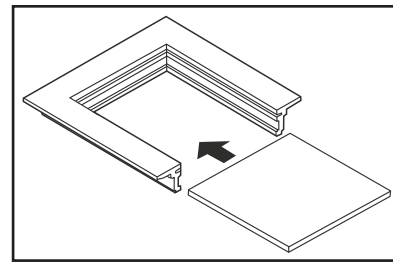
### 8. Adjunte los canales laterales.

Ajuste los canales laterales a los costados del acondicionador de aire usando los tornillos proporcionados. Asegúrese de que los extremos del gancho de los canales estén orientados hacia la parte posterior del artefacto.



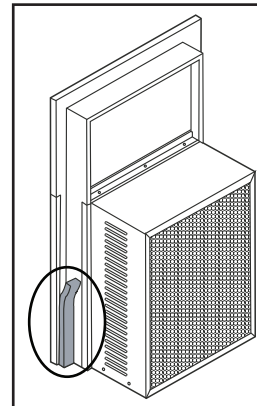
### 9. Montar el panel y el marco de la ventana

Deslice el panel de ventana de plástico en el marco del panel con el lado liso hacia la habitación. Deslice el conjunto del marco del panel en los canales laterales del gabinete del acondicionador de aire. Asegúrese de que el panel de la ventana de plástico esté firmemente encerrado en todos los lados por las ranuras de retención.



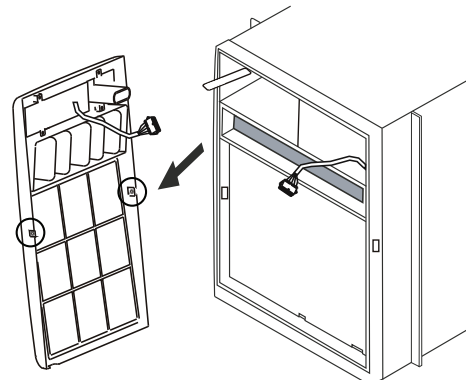
### 10. Agregue el tiempo pelando.

Corte el sello de espuma del canal lateral en dos longitudes iguales. Retire el respaldo protector y aplíquelo a la parte posterior de los canales laterales del gabinete, comenzando justo debajo del ensamblaje del marco del panel. Corte de cualquier exceso de longitud para que el sello quede pareja con la parte inferior del canal lateral del gabinete.



### 11. Retire el panel frontal.

Retire los dos tornillos de retención frontales del marco frontal. Tire de la parte delantera y levante para liberar la cubierta frontal del gabinete. Suelte los enchufes del acoplador. La extracción del panel frontal le permitirá instalar el soporte de seguridad en el paso 13.



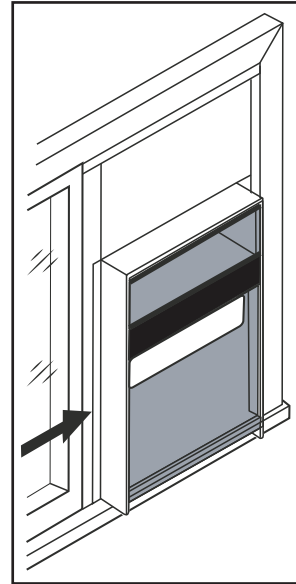
# INSTRUCCIONES DE OPERACIÓN

## INSTALACIÓN EN UNA VENTANA DESLIZANTE

### 12. Instale el acondicionador de aire.

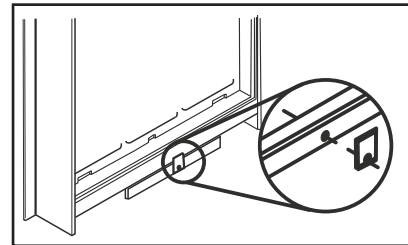
Coloque el acondicionador de aire en la abertura de la ventana. Se debe colocar en el conjunto de la plataforma de modo que el marco del panel de la ventana y los canales laterales del gabinete estén contra las jambas de la ventana superior y lateral.

Deslice la hoja interior de la ventana firmemente contra el costado del gabinete. Asegúrese de no despegar los sellos de espuma del canal lateral o de la ventana. Si el marco del panel no se ajusta perfectamente contra la hoja interior de la ventana, asegure el marco del panel a la hoja con tornillos de 3/4" o tornillos autorroscantes de 3/4". Use los agujeros parcialmente tapados en el marco del panel. Taladre agujeros piloto de 1/8" para los tornillos.



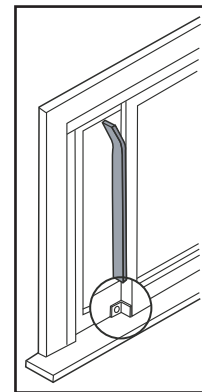
### 13. Instale el soporte de seguridad.

Enganche el soporte de seguridad sobre la base del gabinete y fíjelo a la parte delantera del ensamblaje de la plataforma con un tornillo autorroscante de 3/4". El soporte de seguridad evita el movimiento del acondicionador de aire después de completar la instalación.



### 14. Instale la espuma del marco y el seguro de la ventana.

Inserte el sello de la banda de espuma entre la hoja vertical y el vidrio de la ventana. Utilice el soporte de bloqueo de la ventana para bloquear la hoja interior de la ventana a la base de la hoja exterior de la ventana. Use un tornillo de 3/4" o un tornillo autorroscante de 3/4".



### 15. Reemplace la cubierta frontal.

Vuelva a conectar los enchufes del acoplador y asegúrese de que el control de escape esté ubicado a través de la cubierta frontal en la ubicación correcta. Vuelva a colocar los tornillos de sujeción en los lados del gabinete que sujetan la cubierta frontal en su lugar.

# INSTRUCCIONES DE OPERACIÓN

## INSTALACIÓN EN UNA VENTANA ABATIBLE

Si está instalando el acondicionador de aire en una ventana abatible, siga los pasos anteriores para una ventana deslizante, pero tenga en cuenta los siguientes puntos:

- Abra la ventana la cantidad máxima para permitir el espacio libre del gabinete.
- La manivela debe quitarse para permitir que el conjunto de la plataforma se sujete a la jamba de la ventana.
- Si la ventana no se puede abrir lo suficiente como para que el gabinete pueda despejar la ventana (más de 15 1/2"), quite la ventana por completo taladrando los remaches. Los pernos pueden servir como pivotes en el futuro.
- Para evitar la manivela y los problemas de espacio libre en las ventanas, instale el electrodoméstico en una sección de marco fijo. El parteluz horizontal y los dos paneles de vidrio deben retirarse antes de la instalación.

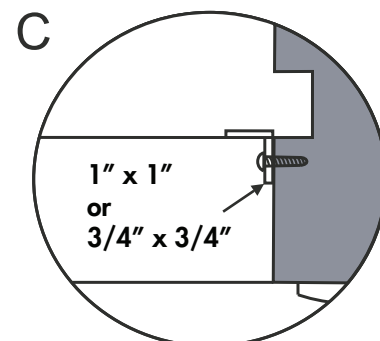
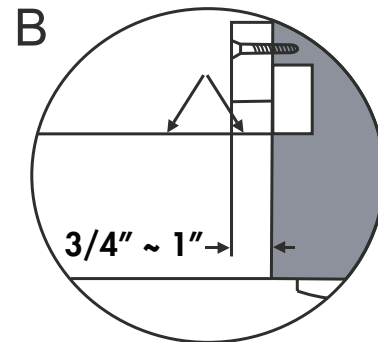
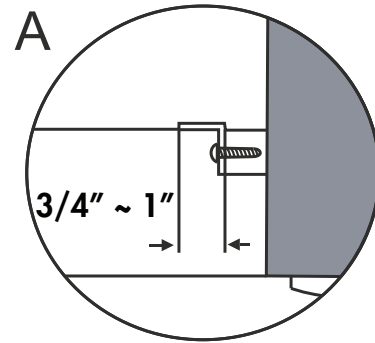
## APLICACIONES DE JAMB DE VENTANA ALTERNATIVA

Para instalar el acondicionador de aire en ventanas que no tienen bridas o topes de madera en las jambas superiores y laterales, los canales y el marco del panel deben caber contra una brida de acoplamiento (o un ángulo grueso máximo de 1/16") unida a las jambas de la ventana.

La Figura A muestra este ángulo instalado.

Las Figuras B y C muestran tratamientos alternativos.

En el lado de la hoja de la abertura, la esquina delantera de la hoja interior se convierte en la brida. Puede comprar la tira de ángulo localmente.





# INSTRUCCIONES DE OPERACIÓN

## PANEL DE CONTROL

### 1. Control de escape:

- En la posición cerrada, el aire acondicionado circulará solo dentro del aire. Use la posición cerrada cuando se desee la máxima refrigeración o para la circulación de aire cuando el aparato esté configurado en modo ventilador.
- En la posición abierta, el aire acondicionado expulsará aire hacia el exterior. Utilice la posición Abrir para eliminar el aire viciado de la habitación y expulsarlo hacia el exterior y para atraer aire fresco al interior de la casa.

2. **Botón de modo:** Usado para elegir el modo de operación.

### 3. Botón de ahorro de energía:

- La función de ahorro de energía activará y desactivará automáticamente el ventilador cuando el compresor no esté en uso para minimizar la frecuencia con que el compresor debe encenderse. Esta función está disponible en los modos fresco, seco, frío automático y ventilador automático.
- El ventilador continuará funcionando durante 3 minutos después de que el compresor se apague. El ventilador se encenderá durante 2 minutos en intervalos de 10 minutos hasta que la temperatura ambiente sea superior a la temperatura configurada, momento en el que el compresor se encenderá y se reanudará la refrigeración.

4. **Botón de temporizador:** Se usa para configurar el auto encendido y el temporizador de apagado automático.

### 5. Flechas arriba y abajo:

- Se usa para ajustar la temperatura establecida y la función del temporizador.
- Mantenga presionados los botones arriba y abajo al mismo tiempo durante 3 segundos para cambiar la visualización de temperatura entre °F y °C.

6. **Panel de visualización:** Muestra la temperatura configurada, la temperatura ambiente y la configuración del temporizador. Para cambiar la escala de temperatura que se muestra, presione los botones hacia arriba y hacia abajo al mismo tiempo.

### 7. Botón de dormir:

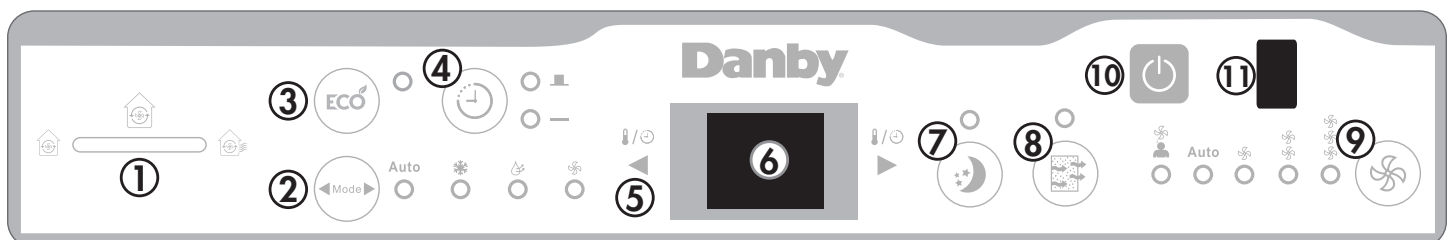
- La función del dormir se puede utilizar para conservar energía durante las horas de sueño. Cuando se selecciona, la temperatura establecida aumentará en 1°C/2°F cada media hora durante una hora completa. El aparato mantendrá la nueva temperatura establecida durante 6 horas antes de regresar automáticamente al funcionamiento normal.

8. **Botón de filtro:** La luz indicadora se iluminará como un recordatorio para verificar el filtro. Una vez que se haya limpiado el filtro, use este botón para reanudar la operación.

9. **Botón de ventilador:** Se usa para configurar la velocidad del ventilador. El ventilador se puede configurar en bajo, medio, alto y automático.

10. **Botón de encendido:** Presione para encender o apagar el aparato.

### 11. Receptor de control remoto

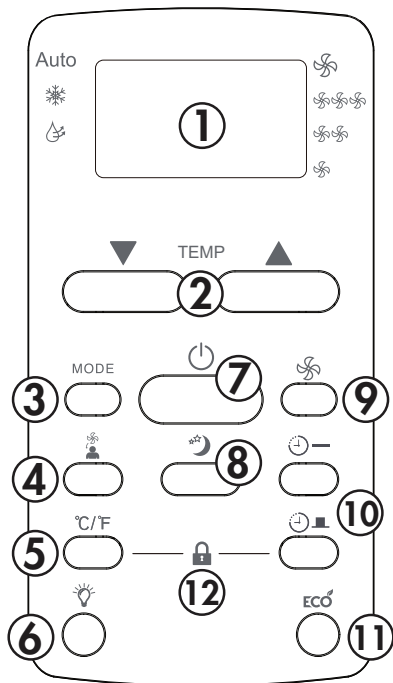




# INSTRUCCIONES DE OPERACIÓN

## CONTROL REMOTO

- 1. Panel de visualización:** Muestra la temperatura establecida, la temperatura ambiente y la configuración del temporizador. Para cambiar la escala de temperatura que se muestra, presione el botón °C/°F.
- 2. Flechas arriba y abajo:** Se utiliza para ajustar la temperatura establecida en incrementos de 1° y la función del temporizador en incrementos de 30 minutos hasta 10 horas y luego en incrementos de 1 hora hasta 24 horas.
- 3. Botón de modo:** Se utiliza para elegir el modo de funcionamiento.
- 4. Botón sígueme:** Se usa para configurar la función sígueme.
- 5. Botón °C/°F:** Use para cambiar la escala de temperatura.
- 6. Botón LED:** Presione para encender o apagar la luz de fondo del LED.
- 7. Botón de encendido:** Se utiliza para encender o apagar el aparato.
- 8. Botón dormir:** Se utiliza para configurar la función dormir.
- 9. Botón del ventilador:** Se usa para configurar la velocidad del ventilador. El ventilador se puede configurar en bajo, medio, alto y automático.
- 10. Botóns del temporizador:** Se utiliza para establecer el temporizador de encendido automático y apagado automático.
- 11. Botón de ahorro de energía:** Se utiliza para configurar la función de ahorro de energía.
- 12. Botón de bloqueo:** Presione el botón °C/°F y el botón del temporizador al mismo tiempo para bloquear el control remoto y evitar que la configuración se cambie sin darse cuenta.



## PILAS DEL CONTROL REMOTO

El mando a distancia requiere dos pilas alcalinas AAA (incluidas). Las baterías deben ser reemplazadas cuando:

- No se escucha ningún sonido al intentar programar el aparato.
- El aparato no responde a una orden emitida por el mando a distancia.

### Cambio de batería:

- Deslice la cubierta posterior del mando a distancia en la dirección de la flecha.
- Inserte dos pilas AAA siguiendo la misma orientación que se muestra en el interior de la cámara de la batería (+/-).
- Vuelva a instalar la cubierta trasera.
- Si el mando a distancia no se utilizará durante períodos de tiempo prolongados, las baterías se deben quitar.

### Notas:

- Proteja el control remoto de altas temperaturas y manténgalo alejado de la exposición a la radiación.
- Mantenga el receptor del panel de control alejado de la luz directa del sol.
- No mezcle baterías viejas y nuevas.
- No mezcle pilas alcalinas, estándar (carbono-zinc) o recargables (ni-cad, ni-mh, etc.).
- El control remoto funciona a una distancia de 8 metros (26 pies) del receptor situado dentro del aparato principal. Cualquier obstrucción entre el receptor y el remoto puede causar interferencia de señal, limitando la capacidad de programar la unidad principal.

# INSTRUCCIONES DE OPERACIÓN

## NORMAS DE CONTROL REMOTO

Este aparato digital de Clase B cumple con el estándar canadiense CAN ICES-003(B)/NMB-003(B).

Este equipo ha sido probado y se encontró que cumple con los límites para un dispositivo digital de Clase B, de conformidad con la Parte 15 de las Reglas de la FCC. Estos límites están diseñados para brindar una protección razonable contra interferencias dañinas en una instalación residencial.

Este equipo genera, usa y puede irradiar energía de radiofrecuencia y, si no se instala y usa de acuerdo con las instrucciones, puede causar interferencias dañinas en las comunicaciones por radio. Sin embargo, no hay garantía de que no se produzcan interferencias en una instalación en particular.

Si este equipo causa interferencias dañinas en la recepción de radio o televisión, lo que se puede determinar apagando y encendiendo el equipo, se recomienda al usuario que intente corregir la interferencia mediante una o más de las siguientes medidas :

1. Reorientar o reubicar la antena receptora
2. Aumente la separación entre el equipo y el receptor
3. Conectar el equipo a una toma de un circuito diferente al que está conectado el receptor
4. Consulte al distribuidor o a un técnico de radio/TV experimentado para obtener ayuda.

Los cambios o modificaciones no aprobados por la parte responsable del cumplimiento de la FCC e Industry Canada podrían anular la autoridad del usuario para operar el equipo. Este aparato cumple con la Parte 15 de las Reglas de la FCC.

La operación está sujeta a las siguientes condiciones :

1. Este dispositivo no puede causar interferencias perjudiciales.
2. Este dispositivo debe aceptar cualquier interferencia recibida, incluida la interferencia que pueda provocar un funcionamiento no deseado.

## DECLARACIÓN DE CONFORMIDAD DEL PROVEEDOR

47 CFR § 2.1077 Información de cumplimiento

**Identificador único:** Danby, RG51G(1)/CEFU1

**Información de contacto de la parte responsable en EE. UU.:**

Danby Products Inc.  
1800 Production Drive  
Findlay, OH  
45840

**Número de teléfono o información de contacto de Internet:** Danby.com

**Declaración de cumplimiento de la FCC:** Este aparato cumple con la Parte 15 de las Reglas de la FCC. La operación está sujeta a las siguientes condiciones:

1. Este dispositivo no puede causar interferencias perjudiciales.
2. Este dispositivo debe aceptar cualquier interferencia recibida, incluida la interferencia que pueda provocar un funcionamiento no deseado.

# INSTRUCCIONES DE OPERACIÓN

## INSTRUCCIÓN DE FUNCIONES

### Modos de funcionamiento

Hay cuatro modos de funcionamiento para elegir. Presione el botón de modo repetidamente para elegir el modo deseado. La luz indicadora adyacente se iluminará para mostrar qué modo se ha seleccionado.

- **Modo frío**

Elija el modo frío para configurar la función de enfriamiento. Use las flechas hacia arriba y hacia abajo para elegir la temperatura deseada. Cuando se selecciona el modo frío, la velocidad del ventilador se puede ajustar presionando el botón del ventilador.

- **Modo seco**

Elija el modo seco para eliminar el exceso de humedad del aire durante los períodos de alta humedad. Toda el agua extraída del aire se condensará dentro del aparato y drenará la parte posterior. La velocidad del ventilador se establecerá automáticamente y no se puede modificar en modo seco.

- **Modo de ventilador**

Elija el modo de ventilador para ejecutar el ventilador interno sin activar la función de enfriamiento. Presione el botón del ventilador varias veces para elegir la velocidad del ventilador, baja, media, alta o automática.

- **Modo automático**

El modo automático es un programa de fábrica preestablecido que define automáticamente el modo (frío o seco) y la velocidad del ventilador en función de la temperatura configurada, la temperatura ambiente y la humedad ambiental.

## FLECHAS ARRIBA Y ABAJO

Las flechas hacia arriba y hacia abajo modificarán la temperatura configurada en incrementos de 1°.

Las flechas hacia arriba y hacia abajo modificarán el tiempo establecido de la función del temporizador en incrementos de 0,5 horas hasta 10 horas y luego en incrementos de 1 hora hasta un máximo de 24 horas.

## FUNCIÓN DEL TEMPORIZADOR

La función del temporizador se puede utilizar para encender o apagar el dispositivo después de un período de tiempo establecido.

### Función de encendido automático

1. Presione el botón del temporizador una vez y la luz indicadora de auto encendido se iluminará.
2. Use las flechas hacia arriba y hacia abajo para seleccionar la cantidad de tiempo deseada antes de que el dispositivo se encienda.
3. Use el Botón de Modo para seleccionar el modo deseado.
4. Use el botón del ventilador para seleccionar la velocidad del ventilador deseada.
5. El tiempo seleccionado aparecerá en el panel de visualización y se contará hacia abajo hasta que se encienda el dispositivo.

### Función de apagado automático

1. Presione el botón del temporizador dos veces y la luz indicadora de apagado automático se iluminará.
2. Use las flechas hacia arriba y hacia abajo para seleccionar la cantidad de tiempo deseada antes de que el dispositivo se apague.
3. El tiempo seleccionado aparecerá en el panel de visualización y se contará hacia abajo hasta que el dispositivo se apague.

### Uso de encendido automático y apagado automático simultáneamente

Si es necesario encender el dispositivo, ejecutarlo durante un período de tiempo determinado y luego apagarlo, las funciones de encendido automático y apagado automático se pueden usar al mismo tiempo configurando primero una y luego la otra. Ambas luces indicadoras se iluminarán y la pantalla contará hacia abajo hasta que el dispositivo se apague o encienda, independientemente de la función que se haya configurado primero.

**Nota:** El temporizador no encenderá y apagará el artefacto por tiempo indefinido. Los temporizadores de encendido automático y apagado automático funcionarán una vez y luego el dispositivo volverá a funcionar normalmente.

Apagar el dispositivo, presionar el botón predeterminado en el control remoto o desconectar el dispositivo borrará todas las configuraciones de memoria, incluido el temporizador.

## INSTRUCCIONES DE OPERACIÓN

### SÍGUEME FUNCIÓN

Hay un sensor de temperatura incorporado en el mando a distancia que continuamente recogerá la temperatura ambiente actual. Mantenga el mando a distancia con usted y el aparato ajustará automáticamente la temperatura establecida en función de la temperatura actual en la que se encuentre para alcanzar la condición y temperatura más confortables.

Pulse el botón sígueme para activar la función sígueme. El control remoto mostrará la temperatura actual en su ubicación. El mando a distancia enviará una señal al acondicionador de aire cada 3 minutos, siempre que permanezca dentro del alcance del aparato.

La luz sígueme del panel de control del aparato se iluminará durante 5 segundos cada tres minutos para indicar que ha recibido una señal del mando a distancia. Si el aparato no recibe una señal del mando a distancia durante un intervalo de 7 minutos, emitirá un pitido para indicar que ha finalizado el modo sígueme.

La distancia máxima para la función sígueme es de 8 metros (26 pies). Esta función está disponible en los modos enfriamiento y automático.

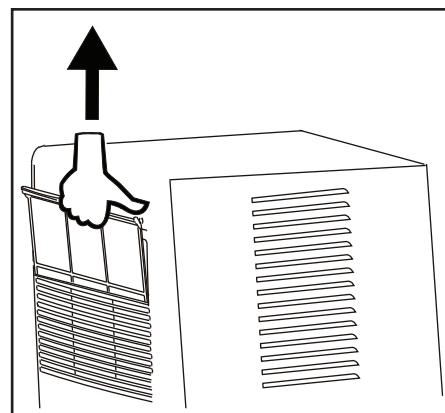
## CUIDADO Y MANTENIMIENTO

### FILTRO DE AIRE

La luz del filtro de verificación en el panel de control se iluminará después de 250 horas de operación como un recordatorio para verificar el filtro. Siga los pasos a continuación para limpiar el filtro y regresar el aparato al funcionamiento normal.

1. El filtro de aire está ubicado detrás de la rejilla de admisión delantera. Para quitar el filtro de aire, tome la lengüeta del filtro en la parte superior de la parrilla y tire hacia arriba.
2. Use una aspiradora con un accesorio de cepillo suave para eliminar cualquier suciedad grande o acumulación de polvo del filtro de aire.
3. Lave el filtro en agua tibia y jabonosa, por debajo de 40°C (104°F) o use un agente de limpieza neutro.
4. Enjuague el filtro con agua limpia y séquelo bien antes de volver a instalarlo en el aparato.
5. Presione el botón de filtro en el panel de control para reanudar el funcionamiento normal.

**Nota:** No opere el aparato sin el filtro de aire instalado.



## CUIDADO Y MANTENIMIENTO

### LIMPIEZA

Para evitar una posible descarga eléctrica, asegúrese de que el dispositivo esté desenchufado antes de realizar cualquier limpieza o mantenimiento.

La parte exterior del aparato se puede limpiar con un paño suave o con un paño tibio y húmedo si es necesario.

No use gasolina, benceno, diluyente ni ningún otro químico para limpiar este artefacto, ya que estas sustancias pueden dañar el acabado y la deformación de las piezas de plástico.

Nunca vierta agua directamente en el artefacto ya que esto provocará el deterioro de los componentes eléctricos y el aislamiento del cableado.

### CUIDADO PARA EL FINAL DE LA TEMPORADA

Antes de retirar el aparato de servicio durante el año, haga funcionar el aparato en modo de ventilador alto durante medio día para asegurarse de que el interior del aparato esté seco. Esto ayudará a evitar el crecimiento de moho o hongos dentro del artefacto. Asegúrese de que el filtro esté limpio y seco. Guarde el electrodoméstico cubierto en un lugar seco.

**Nota:** Cuando instale o retire el dispositivo de la ventana, asegúrese de que no caiga hacia atrás. Se recomienda que la instalación o desinstalación se complete con ayuda para evitar lesiones a las personas o daños a la propiedad o al electrodoméstico.

### DISPOSICIÓN

Verifique el cumplimiento normativo local con respecto a la eliminación aprobada y segura de este electrodoméstico.

### CÓDIGOS DE ERROR

**AS** - Error del sensor de temperatura ambiente



- Error del sensor de temperatura del evaporador

## SOLUCIÓN DE PROBLEMAS

### El aparato no funcionará

- El enchufe no está completamente insertado en la toma de corriente de la pared
- Fusible fundido o disyuntor

### Enfriamiento insuficiente

- Los filtros de aire están sucios
- Flujo de aire bloqueado
- El tamaño del dispositivo es demasiado pequeño para la aplicación

### Ruido

- El suelo no está nivelado
- Los filtros de aire están sucios
- Sonidos de gorjeo son normales; este es el refrigerante que se mueve dentro del aparato

### Olores

- Formación del molde en superficies mojadas internas
- Coloque un comprimido de algicida en el molde de la base; empuje la tableta a través de la parrilla en la parte posterior del aparato

## GARANTÍA LIMITADA "ACARREADO SOLAMENTE"

Este producto de calidad está garantizado contra defectos de fabricación, incluyendo partes y mano de obra, siempre y cuando la unidad se utilice bajo las condiciones normales de funcionamiento para las que fue diseñado.

Esta garantía está solamente disponible para la persona que haya comprado originalmente esta unidad directamente de Danby Products Limited (Canada) o Danby Products Inc. (U.S.A.) (en adelante "Danby") o uno de sus distribuidores autorizados, y no es transferible.

### CONDICIONES DE LA GARANTÍA

Las piezas plásticas, se autorizan por treinta (30) días solamente a partir de la fecha de la compra, sin las extensiones proporcionadas.

**Primeros 24 meses** Durante los primeros **veinticuatro (24) meses**, cualquier parte en buen estado de este producto que resulte defectuosa, incluyendo cualquier sistema sellado, será reparado o reemplazado, a opción del fabricante, sin cargo para el comprador original.

**Para obtener servicio** Póngase en contacto con el distribuidor donde adquirió el electrodoméstico o póngase en contacto con el centro de servicio autorizado más cercano de Danby, donde el servicio debe ser realizado por un técnico cualificado. Si el servicio es realizado por cualquier persona que no sea un depósito de servicio autorizado, todas las obligaciones de Danby bajo esta garantía serán nulas.

Es responsabilidad del comprador transportar el aparato al centro de servicio autorizado más cercano.

Los cargos de transporte desde y hacia el lugar de servicio no están protegidos por esta garantía y son responsabilidad del comprador.

Nada dentro de esta garantía implica que Danby será responsable por cualquier daño que hayan sufrido los alimentos u otros contenidos de este aparato, ya sea debido a un defecto del aparato, o su uso, adecuado o inadecuado.

### EXCLUSIONES

Salvo lo aquí indicado por Danby, no existen otras garantías, condiciones o representaciones, explícitas o implícitas, concretas o intencionales por parte de Danby o sus distribuidores autorizados y todas las demás garantías, condiciones o representaciones, incluyendo cualquier garantía, condiciones o representaciones bajo cualquier Acta de Venta de Productos o legislación o estatuto similar, quedan de esta forma expresamente excluidas. **Salvo lo aquí indicado, Danby no serán responsables por ningún daño a personas o bienes, incluyendo la propia unidad, sin importar su causa, o de ningún daño indirecto causado por el desperfecto de la unidad, y al comprar esta unidad, el comprador acepta por la presente, indemnizar y proteger a Danby contra cualquier reclamo por daños a personas o bienes causados por la unidad.**

### CONDICIONES GENERALES

No se considerará ninguna de estas garantías o seguros cuando el daño o la necesidad de reparación sea el producto de los siguientes casos:

- 1) Falla del suministro eléctrico.
- 2) Daños en tránsito o durante el transporte de la unidad.
- 3) Alimentación incorrecta, como bajo voltaje, instalación eléctrica defectuosa o fusibles inadecuados.
- 4) Accidente, modificación, abuso o uso incorrecto del artefacto, tal como insuficiente ventilación del ambiente o condiciones de operación anormales (temperatura ambiente extremadamente alta o baja).
- 5) Utilización comercial o industrial (v.g., si el electrodoméstico no está instalado en una vivienda particular).
- 6) Incendio, daños por agua, robo, guerra, disturbios, hostilidades, actos de fuerza mayor como huracanes, inundaciones, etc.
- 7) Pedidos de servicio debido a desinformación del usuario.
- 8) Instalación inadecuada (v.g., instalación de un electrodoméstico independiente o uso de un aparato al aire libre que no esté aprobado para aplicaciones en exteriores, incluyendo pero no limitado a: garajes, patios, porches o cualquier lugar que no esté bien aislado o controlado por el clima).

Se requerirá una prueba de la fecha de compra para reclamaciones de garantía; conservar las facturas de venta. En el caso de que se requiera servicio de garantía, presente el comprobante de compra a nuestro depósito de servicio autorizado.

**Servicio de Garantía**  
Acarreado Solamente

Danby Products Limited  
PO Box 1778, Guelph, Ontario, Canada N1H 6Z9  
Telephone: (519) 837-0920 FAX: (519) 837-0449

**1-800-263-2629**  
04/17

Danby Products Inc.  
PO Box 669, Findlay, Ohio, U.S.A. 45840  
Telephone: (419) 425-8627 FAX: (419) 425-8629





